

### Overview

#### What's New

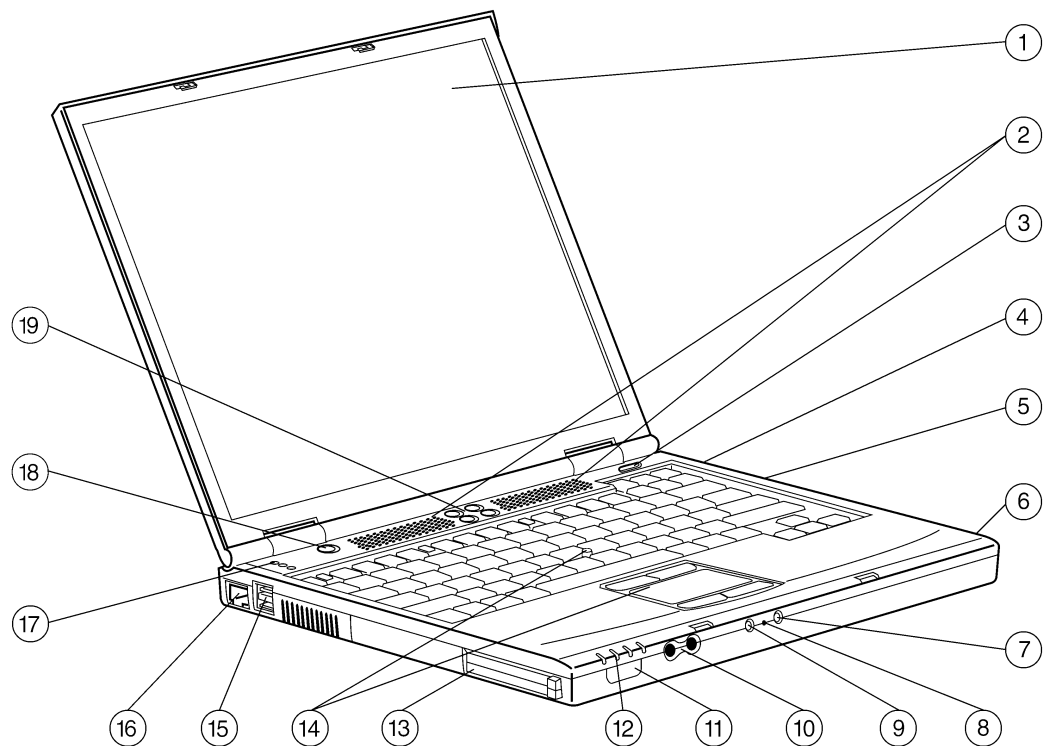
- 40-GB Hard Disk Drive
- New models with 1.2 GHz processors

#### At A Glance

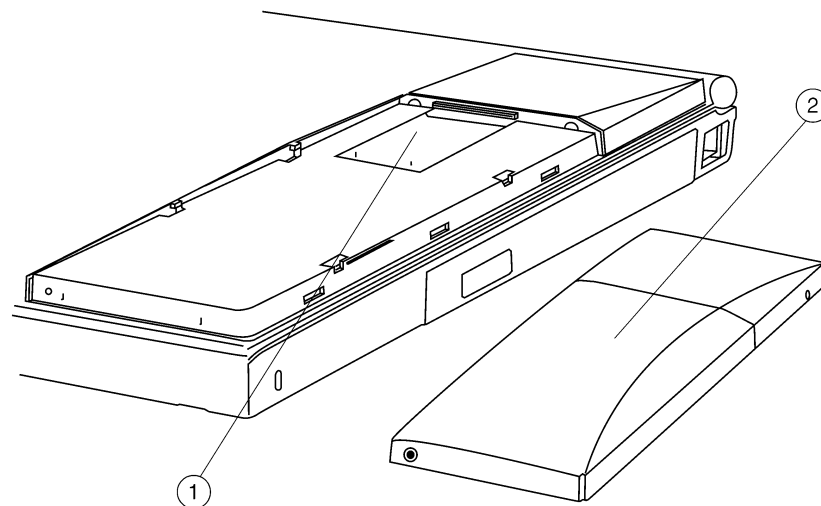
- Mobile Intel® Pentium® III-M 1.2 GHz, 1.06 GHz, 1.0 GHz, and 866 MHz processors
- 14.1-inch SXGA+ or 14.1-inch XGA display
- Configurations as light as 4.8 lb/2.2 kg weight
- 1.2 in/3.048 cm thin
- 256-MB and 128-MB SDRAM (133 MHz), upgradeable to 1024 MB
- Up to 40-GB SMART hard drives
- User removable hard drive
- Mini PCI modem and integrated NIC
- Full-size keyboard
- Microsoft® Windows® XP Professional, Microsoft Windows 2000, Microsoft Windows NT 4.0, or Microsoft Windows 98 SE
- Includes a Three-year, Worldwide Limited Warranty—Certain restrictions and exclusions apply. Consult the Compaq Customer Support Center for details.

#### What's Special

- From 4.8 lb/2.2 kg light
- 1.2 in/3.05 cm thin
- Over four hours of battery life
- Dual pointing devices
- Magnesium display enclosure
- Common docking solutions across *Armada™* E and M and core *Evo™* series notebooks
- Integrated MultiBay
- Dual battery support
- Industry leading PC lifecycle solutions



- |                         |                                 |
|-------------------------|---------------------------------|
| 1. Color Display        | 10. Volume Controls             |
| 2. Stereo Speakers      | 11. Infrared Port               |
| 3. Power Switch         | 12. System LEDs                 |
| 4. RJ-11 (Modem)        | 13. PC Card Slots (2)           |
| 5. MultiBay             | 14. Touchpad + Pointstick       |
| 6. Cable Lock Connector | 15. USB (2)                     |
| 7. Audio-In             | 16. RJ-45 (NIC)                 |
| 8. Microphone           | 17. Keyboard LEDs               |
| 9. Headphone-Out        | 18. Suspend Button              |
|                         | 19. Easy Access Internet Button |



1. Multiport Connector

2. Multiport Module Cover

### Standard Features

<b>Processor and Panel</b>	1.2 GHz-M on Mobile Intel Pentium III processor with 512 KB L2 cache	
<i>One of the following:</i>	14.1-inch color TFT SXGA+ with 1400 x 1050 resolution (up to 16.7M colors internal)	
	14.1-inch color TFT XGA with 1024 x 768 resolution (up to 16.7M colors internal)	
	1.06 GHz-M on Mobile Intel Pentium III processor with 512 KB L2 cache	
	1.00 GHz-M on Mobile Intel Pentium III processor with 512 KB L2 cache	
	866 MHz-M on Mobile Intel Pentium III processor with 512 KB L2 cache	
	14.1-inch color TFT XGA with 1024 x 768 resolution (up to 16.7M colors internal)	
	<b>NOTE:</b> Mobile Intel Pentium III-M processors support enhanced Intel SpeedStep™ technology.	
<b>Memory</b>	Standard	128 or 256 MB (133 MHz) SDRAM (128- or 256-MB SODIMM in slot 1)
	Maximum	1024 MB (133 MHz) SDRAM (512-MB SODIMMs in slots 1 and 2)
	<b>NOTE:</b> Due to the non-industry standard nature of some third-party memory modules, we recommend Compaq branded memory to ensure compatibility.	
<b>Communications</b>	10/100 NIC is integrated on the system board	
	Type III Mini PCI 56K (V.90) modem	
	<b>NOTE:</b> Designed only to allow faster downloads from V.90 compliant sources. Maximum achievable download transmission rates currently do not reach 56 KB/s, and will vary with line conditions.	
	<b>NOTE:</b> Modem availability is subject to country regulatory approval.	
<b>Keyboard</b>	102-key compatible keyboard with isolated, inverted-T cursor control keys, and right-control key, special feature hotkeys for instant access to power conservation, QuickLock/QuickBlank (ex: FN + F6), toggle between internal and external, or simultaneous displays, battery gauge, speaker volume control, brightness and contrast. The keyboard has full size keys, 19.05 mm key pitch (center-to-center spacing), and 2.5 mm stroke.	
<b>Easy Access Internet Buttons</b>	The <i>Evo</i> Notebook N600c comes with four Easy Access Buttons designed to increase customer productivity by providing one-touch access to helpful Compaq information, favorite Internet destinations, files, or applications.	
<b>Pointing Device</b>	Dual pointing devices (both Pointstick and Touchpad)	
<b>PC Card Slots</b>	Two Type II/One Type III PC Card Slots which support both 32-bit CardBus and 16-bit PC Cards	
<b>Storage</b>	Diskette Drives	Optional Diskette Drive Optional SuperDisk 2X LS – 120 Drive
	Optical Drives	DVD/CD-RW Combo Drive CD-RW Drive or DVD-ROM Drive or CD-ROM Drive
	Hard Drives	One of the following: 40-GB SMART Hard Drive 30-GB SMART Hard Drive 20-GB SMART Hard Drive 15-GB SMART Hard Drive

## Standard Features

<b>Multimedia</b>	<p>Compaq <i>Premier•Sound™</i> for enhanced stereo audio            Integrated 16-bit Sound Blaster Pro compatible stereo audio            Integrated stereo speakers and microphone            External Hardware volume controls            Headphone-out            Microphone in            Software MPEG1 support, MPEG2 and DVD            8X DVD-ROM or 8X DVD/CD-RW Drive with movie playback software (on select models)            24X CD-ROM Drive (on select models)            RCA composite video/TV-out port            4X AGP graphics            32 MB or 16 MB of DDR (Double Date Rate) SDRAM</p>																														
<b>Interfaces</b>	<table border="0"> <tr> <td>PC Card</td> <td>2 Type II/1 Type III</td> </tr> <tr> <td>Enhanced Parallel EPP/ECP</td> <td>1 (can be used to connect external diskette drive)</td> </tr> <tr> <td>Serial Port</td> <td>1</td> </tr> <tr> <td>TV-out connector NTSC/PAL</td> <td>1</td> </tr> <tr> <td>External Monitor</td> <td>1</td> </tr> <tr> <td>PPS/2 External Keyboard/Pointing Device</td> <td>1 Supports Y-cable in order to attach both Keyboard and Mouse simultaneously</td> </tr> <tr> <td>Expansion Base</td> <td>1</td> </tr> <tr> <td>Headphone/Line-out</td> <td>1</td> </tr> <tr> <td>Microphone in</td> <td>1</td> </tr> <tr> <td>DC Power</td> <td>1</td> </tr> <tr> <td>RJ-11 (modem)</td> <td>1</td> </tr> <tr> <td>RJ-45 (NIC)</td> <td>1</td> </tr> <tr> <td>Infrared Port</td> <td>1 (4 Mb/s support) (IrDA 4 MB compliant. IR performance will vary depending on performance of IR peripherals and application used.)</td> </tr> <tr> <td>USB Port</td> <td>2 (left side)</td> </tr> <tr> <td>LED status indicators</td> <td>7</td> </tr> </table>	PC Card	2 Type II/1 Type III	Enhanced Parallel EPP/ECP	1 (can be used to connect external diskette drive)	Serial Port	1	TV-out connector NTSC/PAL	1	External Monitor	1	PPS/2 External Keyboard/Pointing Device	1 Supports Y-cable in order to attach both Keyboard and Mouse simultaneously	Expansion Base	1	Headphone/Line-out	1	Microphone in	1	DC Power	1	RJ-11 (modem)	1	RJ-45 (NIC)	1	Infrared Port	1 (4 Mb/s support) (IrDA 4 MB compliant. IR performance will vary depending on performance of IR peripherals and application used.)	USB Port	2 (left side)	LED status indicators	7
PC Card	2 Type II/1 Type III																														
Enhanced Parallel EPP/ECP	1 (can be used to connect external diskette drive)																														
Serial Port	1																														
TV-out connector NTSC/PAL	1																														
External Monitor	1																														
PPS/2 External Keyboard/Pointing Device	1 Supports Y-cable in order to attach both Keyboard and Mouse simultaneously																														
Expansion Base	1																														
Headphone/Line-out	1																														
Microphone in	1																														
DC Power	1																														
RJ-11 (modem)	1																														
RJ-45 (NIC)	1																														
Infrared Port	1 (4 Mb/s support) (IrDA 4 MB compliant. IR performance will vary depending on performance of IR peripherals and application used.)																														
USB Port	2 (left side)																														
LED status indicators	7																														
<b>Graphics</b>	<p>ATI Mobility Radeon, 64-bit video graphics (4X AGP) with 16 MB or 32 MB DDR SDRAM for increased color depth and graphics performance</p>																														
<b>Display (External)</b>	<p>Up to 32-bit per pixel color depth            Supports 640 x 480, 800 x 600, 1024 x 768, 1280 x 1024, 1400 x 1050, 1600 x 1200, or 2048 x 1536 resolutions up to 160-Hz refresh rate, dependent upon monitor capability, resolution and color depth settings</p>																														
<b>Display (Internal)</b>	<p>14.1-inch color TFT SXGA+ with 1400 x 1050 resolution (up to 16.7M colors internal)            14.1-inch color TFT XGA with 1024 x 768 resolution (up to 16.7M colors internal)</p>																														
<b>Operating System</b>	<p>Microsoft Windows 2000 only or            Microsoft Windows 2000 preinstalled/Windows NT 4.0 on CD or            Dual installation of Microsoft Windows XP Professional Edition/Microsoft Windows 2000 <i>or</i>            Microsoft Windows 98 SE</p>																														
<b>Software</b>	<p>Compaq Insight Management Agents            Diagnostics for Windows            DVD Playback Software            Compaq Power Management            Compaq Security Management            Safety and Comfort Guide            Acrobat Reader            Reference Guide            Compaq Easy Access Button Software            Altiris eXpress™ Client Software            Intel SpeedStep Applet</p>																														

### Standard Features

<b>System Recovery</b>	Each unit is shipped with a CD kit for quick recovery (erases hard disk and restores manufacturer installed image) and software recovery (installs only selected standard software)
<b>Intelligent Manageability</b>	Compaq Intelligent Manageability, a key component of PC Lifecycle Solutions, is the broad set of manageability features found on Compaq <i>Deskpro</i> ™ EN desktops, Armada notebooks, Evo Clients, Professional Workstations, and <i>iPAQ</i> ™ Deskside and <i>ProLiant</i> ™ server products. These best-in-class features on PC clients comply with industry standards, such as DMI and Wired for Management, while pioneering new ground in client manageability. Compaq introduced the industry's first line of manageable clients in 1995 and has been driving the industry ever since. With Compaq's lifecycle management philosophy, enterprises have all of the pieces for end-to-end management and proven tools for hassle-free management of PCs. The combination of these tools will significantly lower the Total Cost of Ownership of managing the computing environment. Intelligent Manageability offers solutions in the areas of Initial Configuration and Deployment, Asset Tracking and Security, Software Updating and Management, and Fault Notification and Recovery. For more information, visit these Compaq websites: <a href="http://www.compaq.com/im">http://www.compaq.com/im</a> ; <a href="http://www.compaq.com/easydeploy">http://www.compaq.com/easydeploy</a> ; <a href="http://www.compaq.com/solutions/pcsolutions">http://www.compaq.com/solutions/pcsolutions</a> ; <b>NOTE:</b> These websites are available in English only.
<b>Security</b>	Configuration Control Hardware Memory Change Alert Ownership Tag Set-up Password Power-On Password DriveLock Enabled for PC SmartCard options Kensington Lock
<b>Power Supply</b>	External AC adapter, 6-foot/1.8-meter power cord included. Total length including External AC adapter is 12 feet/3.66 meter.
<b>Battery</b>	<p>The Evo Notebook N600c provides over four hours of battery life using the standard 8-cell Lithium-Ion battery.</p> <p><b>NOTE:</b> Actual results may vary with product model, configuration, and individual usage. Compaq results of 4:33 (hr:min) were achieved running the eTesting Labs Inc.'s BatteryMark™ Test version 4.0.1 on an N600c with an Intel Pentium III-M 866 MHz CPU, 14.1-inch XGA panel, 128 MB RAM, 15-GB HDD, CD, 8-cell Lithium-Ion battery, and NIC/modem. System parameters were set according to eTesting Labs' recommendations: panel brightness 50%, hard drive standby and video idle time three minutes, Intel Speedstep battery optimized mode.</p> <p><b>NOTE:</b> Actual results may vary with product model, configuration, and individual usage. Compaq results of 4:11 (hr:min) were achieved running the eTesting Labs Inc.'s BatteryMark Test version 4.0.1 on an N600c with an Intel Pentium III-M 1.06 GHz CPU, 14.1-inch XGA panel, 128 MB RAM, 20-GB HDD, DVD, 8-cell primary Lithium-Ion battery, and NIC/modem. System parameters were set according to eTesting Labs' recommendations: panel brightness 50%, hard drive standby and video idle time three minutes, Intel Speedstep battery optimized mode.</p> <p><b>NOTE:</b> Actual results may vary with product model, configuration, and individual usage. Compaq results of 3:44 (hr:min) were achieved running the eTesting Labs Inc.'s BatteryMark Test version 4.0.1 on an N600c with an Intel Pentium III-M 1.20 GHz CPU, 14.1-inch SXGA+ panel, 256 MB RAM, 30-GB HDD, DVD/CD-RW, 8-cell primary Lithium-Ion battery, and NIC/modem. System parameters were set according to eTesting Labs' recommendations: panel brightness 50%, hard drive standby and video idle time three minutes, Intel Speedstep battery optimized mode.</p> <p><b>NOTE:</b> These tests were performed without independent verification by eTesting Labs Inc. eTesting Labs Inc. makes no representations or warranties as to the result of the test. BatteryMark is a trademark of Ziff Davis Publishing Holdings Inc., and affiliate of eTesting Labs Inc., in the U.S. and other countries.</p>
<b>Power Conservation</b>	Supports enhanced Intel SpeedStep Technology (allows a Battery Optimized Mode, Maximum Performance Mode, or Automatic mode) Hibernation Instant-on via Standby Pop-ups with three presets One custom level of power conservation ACPI compliant

---

## Standard Features

---

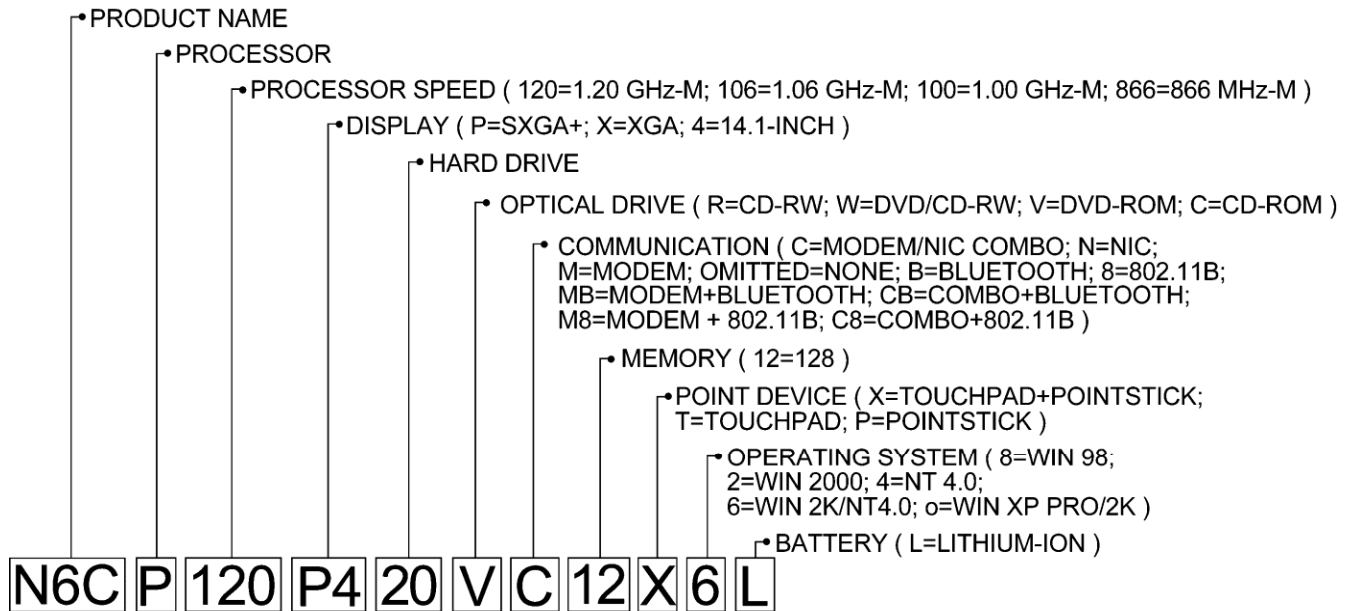
<b>MultiBay Devices</b>	MultiBay devices may be swapped with the system powered on (hot) or in suspend mode (warm) under Windows 98 SE, Windows 2000, or Windows XP Professional (except MultiBay Zip drive or MultiBay secondary hard drive). MultiBay devices can be swapped with system power off under any supported operating system.
<b>MultiPort</b>	Integrated MultiPort expands functionality via user removable MultiPort Modules. MultiPort modules can provide integrated wireless communications and enhanced security features. MultiPort can be hot swapped with the system powered on (hot) or in suspend mode (warm) under any supported operating system. The MultiPort interface is based on the USB 1.1 Standard Specification <b>NOTE:</b> Microsoft Windows NT and Windows 95 do not support USB technology.
<b>Service and Support</b>	Compaq Services includes a Three-Year, Worldwide Limited Warranty, carry-in or pick-up, upgrade to On-site Warranty or additional Two-Year Warranty available, and toll-free 7 x 24 hardware technical phone support. Certain restrictions and exclusions apply. Consult the Compaq Customer Support Center for details.

---

## Standard Features

### Naming Convention

The Etymology of a Model name:



## Standard Features

### MODELS

N6CP120P430WC25X8L	Display	14.1-inch color SXGA+
	Processor	1.2 GHz-M on Mobile Intel Pentium III processor
	Cache Memory	512 KB, L2 Cache
	Memory	Standard 256 MB (133 MHz) SDRAM Maximum 1024 MB (133 MHz) SDRAM
	Optical Drive	DVD/CD-RW
	Hard Drive	30-GB SMART
	Communications	Type III Mini PCI 56K (V.90) modem, integrated 10/100 NIC
	Graphics	ATI Mobility Radeon, 64-bit video graphics with 32 MB DDR SDRAM
	Audio	Compaq <i>Premier•Sound</i>
	Operating System	Microsoft Windows 98SE
	Pointing Device	Dual Pointing Device
	MultiPort	Optional wireless modules available
	N6CP120P430WC25X2L	Display
Processor		1.2 GHz-M on Mobile Intel Pentium III processor
Cache Memory		512 KB, L2 Cache
Memory		Standard 256 MB (133 MHz) SDRAM Maximum 1024 MB (133 MHz) SDRAM
Optical Drive		DVD/CD-RW
Hard Drive		30-GB SMART
Communications		Type III Mini PCI 56K (V.90) modem, integrated 10/100 NIC
Graphics		ATI Mobility Radeon, 64-bit video graphics with 32 MB DDR SDRAM
Audio		Compaq <i>Premier•Sound</i>
Operating System		Microsoft Windows 2000
Pointing Device		Dual Pointing Device
MultiPort		Optional wireless modules available
N6CP120P430WC25X8LN <i>GEM/NAFTA</i>		Display
	Processor	1.2 GHz-M on Mobile Intel Pentium III processor
	Cache Memory	512 KB, L2 Cache
	Memory	Standard 128 MB (133 MHz) SDRAM Maximum 1024 MB (133 MHz) SDRAM
	Optical Drive	DVD/CD-RW
	Hard Drive	30-GB SMART
	Communications	Type III Mini PCI 56K (V.90) modem, integrated 10/100 NIC
	Graphics	ATI Mobility Radeon, 64-bit video graphics with 32 MB DDR SDRAM
	Audio	Compaq <i>Premier•Sound</i>
	Operating System	Microsoft Windows 98SE
	Pointing Device	Dual Pointing Device
	MultiPort	Optional wireless modules available

## Standard Features

<b>N6CP120P430WC25X2LN</b> <i>GEMNAFTA</i>	<b>Display</b>	14.1-inch color SXGA+
	<b>Processor</b>	1.2 GHz-M on Mobile Intel Pentium III processor
	<b>Cache Memory</b>	512 KB, L2 Cache
	<b>Memory</b>	Standard 256 MB (133 MHz) SDRAM Maximum 1024 MB (133 MHz) SDRAM
	<b>Optical Drive</b>	DVD/CD-RW
	<b>Hard Drive</b>	30-GB SMART
	<b>Communications</b>	Type III Mini PCI 56K (V.90) modem, integrated 10/100 NIC
	<b>Graphics</b>	ATI Mobility Radeon, 64-bit video graphics with 32 MB DDR SDRAM
	<b>Audio</b>	Compaq <i>Premier•Sound</i>
	<b>Operating System</b>	Microsoft Windows 2000
	<b>Pointing Device</b>	Dual Pointing Device
	<b>MultiPort</b>	Optional wireless modules available
<b>N6CP120P430WN25X8L</b> <i>NIC ONLY</i>	<b>Display</b>	14.1-inch color SXGA+
	<b>Processor</b>	1.2 GHz-M on Mobile Intel Pentium III processor
	<b>Cache Memory</b>	512 KB, L2 Cache
	<b>Memory</b>	Standard 256 MB (133 MHz) SDRAM Maximum 1024 MB (133 MHz) SDRAM
	<b>Optical Drive</b>	DVD/CD-RW
	<b>Hard Drive</b>	30-GB SMART
	<b>Communications</b>	Integrated 10/100 NIC
	<b>Graphics</b>	ATI Mobility Radeon, 64-bit video graphics with 32 MB DDR SDRAM
	<b>Audio</b>	Compaq <i>Premier•Sound</i>
	<b>Operating System</b>	Microsoft Windows 98SE
	<b>Pointing Device</b>	Dual Pointing Device
	<b>MultiPort</b>	Optional wireless modules available
<b>N6CP120P430WN25X2L</b> <i>NIC ONLY</i>	<b>Display</b>	14.1-inch color SXGA+
	<b>Processor</b>	1.2 GHz-M on Mobile Intel Pentium III processor
	<b>Cache Memory</b>	512 KB, L2 Cache
	<b>Memory</b>	Standard 256 MB (133 MHz) SDRAM Maximum 1024 MB (133 MHz) SDRAM
	<b>Optical Drive</b>	DVD/CD-RW
	<b>Hard Drive</b>	30-GB SMART
	<b>Communications</b>	Integrated 10/100 NIC
	<b>Graphics</b>	ATI Mobility Radeon, 64-bit video graphics with 32 MB DDR SDRAM
	<b>Audio</b>	Compaq <i>Premier•Sound</i>
	<b>Operating System</b>	Microsoft Windows 2000
	<b>Pointing Device</b>	Dual Pointing Device
	<b>MultiPort</b>	Optional wireless modules available



## Standard Features

N6CP120P430VC25X8L	Display	14.1-inch color SXGA+
	Processor	1.2 GHz-M on Mobile Intel Pentium III processor
	Cache Memory	512 KB, L2 Cache
	Memory	Standard 256 MB (133 MHz) SDRAM Maximum 1024 MB (133 MHz) SDRAM
	Optical Drive	DVD-ROM
	Hard Drive	30-GB SMART
	Communications	Type III Mini PCI 56K (V.90) modem, integrated 10/100 NIC
	Graphics	ATI Mobility Radeon, 64-bit video graphics with 32 MB DDR SDRAM
	Audio	Compaq <i>Premier•Sound</i>
	Operating System	Microsoft Windows 98SE
	Pointing Device	Dual Pointing Device
	MultiPort	Optional wireless modules available
N6CP120P430VC25X2L	Display	14.1-inch color SXGA+
	Processor	1.2 GHz-M on Mobile Intel Pentium III processor
	Cache Memory	512 KB, L2 Cache
	Memory	Standard 256 MB (133 MHz) SDRAM Maximum 1024 MB (133 MHz) SDRAM
	Optical Drive	DVD-ROM
	Hard Drive	30-GB SMART
	Communications	Type III Mini PCI 56K (V.90) modem, integrated 10/100 NIC
	Graphics	ATI Mobility Radeon, 64-bit video graphics with 32 MB DDR SDRAM
	Audio	Compaq <i>Premier•Sound</i>
	Operating System	Microsoft Windows 2000
	Pointing Device	Dual Pointing Device
	MultiPort	
N6CP120P430VN25X8L <i>NIC ONLY</i>	Display	14.1-inch color SXGA+
	Processor	1.2 GHz-M on Mobile Intel Pentium III processor
	Cache Memory	512 KB, L2 Cache
	Memory	Standard 256 MB (133 MHz) SDRAM Maximum 1024 MB (133 MHz) SDRAM
	Optical Drive	DVD-ROM
	Hard Drive	30-GB SMART
	Communications	Integrated 10/100 NIC
	Graphics	ATI Mobility Radeon, 64-bit video graphics with 32 MB DDR SDRAM
	Audio	Compaq <i>Premier•Sound</i>
	Operating System	Microsoft Windows 98SE
	Pointing Device	Dual Pointing Device
	MultiPort	Optional wireless modules available

## Standard Features

N6CP120P430VN25X2L <i>NIC ONLY</i>	Display	14.1-inch color SXGA+
	Processor	1.2 GHz-M on Mobile Intel Pentium III processor
	Cache Memory	512 KB, L2 Cache
	Memory	Standard 256 MB (133 MHz) SDRAM Maximum 1024 MB (133 MHz) SDRAM
	Optical Drive	DVD-ROM
	Hard Drive	30-GB SMART
	Communications	Integrated 10/100 NIC
	Graphics	ATI Mobility Radeon, 64-bit video graphics with 32 MB DDR SDRAM
	Audio	Compaq <i>Premier•Sound</i>
	Operating System	Microsoft Windows 2000
	Pointing Device	Dual Pointing Device
	MultiPort	Optional wireless modules available
N6CP120P430WC25XoL	Display	14.1-inch color SXGA+
	Processor	1.2 GHz-M on Mobile Intel Pentium III processor
	Cache Memory	512 KB, L2 Cache
	Memory	Standard 256 MB (133 MHz) SDRAM Maximum 1024 MB (133 MHz) SDRAM
	Optical Drive	DVD/CD-RW
	Hard Drive	30-GB SMART
	Communications	Type III Mini PCI 56K (V.90) modem, integrated 10/100 NIC
	Graphics	ATI Mobility Radeon, 64-bit video graphics with 32 MB DDR SDRAM
	Audio	Compaq <i>Premier•Sound</i>
	Operating System	Microsoft Windows XP Pro/Windows 2000
	Pointing Device	Dual Pointing Device
	MultiPort	Optional wireless modules available
N6CP120P430VC25XoL	Display	14.1-inch color SXGA+
	Processor	1.2 GHz-M on Mobile Intel Pentium III processor
	Cache Memory	512 KB, L2 Cache
	Memory	Standard 256 MB (133 MHz) SDRAM Maximum 1024 MB (133 MHz) SDRAM
	Optical Drive	DVD-ROM
	Hard Drive	30-GB SMART
	Communications	Type III Mini PCI 56K (V.90) modem, integrated 10/100 NIC
	Graphics	ATI Mobility Radeon, 64-bit video graphics with 32 MB DDR SDRAM
	Audio	Compaq <i>Premier•Sound</i>
	Operating System	Microsoft Windows XP Pro/Windows 2000
	Pointing Device	Dual Pointing Device
	MultiPort	Optional wireless modules available

## Standard Features

<b>N6CP120P430WC25XoLN</b> <i>GEMNAFTA</i>	<b>Display</b>	14.1-inch color SXGA+
	<b>Processor</b>	1.2 GHz-M on Mobile Intel Pentium III processor
	<b>Cache Memory</b>	512 KB, L2 Cache
	<b>Memory</b>	Standard 256 MB (133 MHz) SDRAM Maximum 1024 MB (133 MHz) SDRAM
	<b>Optical Drive</b>	DVD/CD-RW
	<b>Hard Drive</b>	30-GB SMART
	<b>Communications</b>	Type III Mini PCI 56K (V.90) modem, integrated 10/100 NIC
	<b>Graphics</b>	ATI Mobility Radeon, 64-bit video graphics with 32 -MB DDR SDRAM
	<b>Audio</b>	Compaq <i>Premier•Sound</i>
	<b>Operating System</b>	Microsoft Windows XP Pro/Windows 2000
	<b>Pointing Device</b>	Dual Pointing Device
	<b>MultiPort</b>	Optional wireless modules available
<b>N6CP120P430WN25XoL</b> <i>NIC ONLY</i>	<b>Display</b>	14.1-inch color SXGA+
	<b>Processor</b>	1.2 GHz-M on Mobile Intel Pentium III processor
	<b>Cache Memory</b>	512 KB, L2 Cache
	<b>Memory</b>	Standard 256 MB (133 MHz) SDRAM Maximum 1024 MB (133 MHz) SDRAM
	<b>Optical Drive</b>	DVD/CD-RW
	<b>Hard Drive</b>	30-GB SMART
	<b>Communications</b>	Integrated 10/100 NIC
	<b>Graphics</b>	ATI Mobility Radeon, 64-bit video graphics with 32 MB DDR SDRAM
	<b>Audio</b>	Compaq <i>Premier•Sound</i>
	<b>Operating System</b>	Microsoft Windows XP Pro/Windows 2000
	<b>Pointing Device</b>	Dual Pointing Device
	<b>MultiPort</b>	Optional wireless modules available
<b>N6CP120P430VN25XoL</b> <i>NIC ONLY</i>	<b>Display</b>	14.1-inch color SXGA+
	<b>Processor</b>	1.2 GHz-M on Mobile Intel Pentium III processor
	<b>Cache Memory</b>	512 KB, L2 Cache
	<b>Memory</b>	Standard 256 MB (133 MHz) SDRAM Maximum 1024 MB (133 MHz) SDRAM
	<b>Optical Drive</b>	DVD-ROM
	<b>Hard Drive</b>	30-GB SMART
	<b>Communications</b>	Integrated 10/100 NIC
	<b>Graphics</b>	ATI Mobility Radeon, 64-bit video graphics with 32 MB DDR SDRAM
	<b>Audio</b>	Compaq <i>Premier•Sound</i>
	<b>Operating System</b>	Microsoft Windows XP Pro/Windows 2000
	<b>Pointing Device</b>	Dual Pointing Device
	<b>MultiPort</b>	Optional wireless modules available

## Standard Features

---

<b>N6CP120X430VC25XoL</b>	<b>Display</b>	14.1-inch color XGA
	<b>Processor</b>	1.2 GHz-M on Mobile Intel Pentium III processor
	<b>Cache Memory</b>	512 KB, L2 Cache
	<b>Memory</b>	Standard 256 MB (133 MHz) SDRAM Maximum 1024 MB (133 MHz) SDRAM
	<b>Optical Drive</b>	DVD-ROM
	<b>Hard Drive</b>	30-GB SMART
	<b>Communications</b>	Type III Mini PCI 56K (V.90) modem, integrated 10/100 NIC
	<b>Graphics</b>	ATI Mobility Radeon, 64-bit video graphics with 32 MB DDR SDRAM
	<b>Audio</b>	Compaq <i>Premier•Sound</i>
	<b>Operating System</b>	Microsoft Windows XP Pro/Windows 2000
	<b>Pointing Device</b>	Dual Pointing Device
	<b>MultiPort</b>	Optional wireless modules available

---

<b>N6CP120X430VC25XoL</b> <i>GEMNAFTA</i>	<b>Display</b>	14.1-inch color XGA
	<b>Processor</b>	1.2 GHz-M on Mobile Intel Pentium III processor
	<b>Cache Memory</b>	512 KB, L2 Cache
	<b>Memory</b>	Standard 256 MB (133 MHz) SDRAM Maximum 1024 MB (133 MHz) SDRAM
	<b>Optical Drive</b>	DVD-ROM
	<b>Hard Drive</b>	30-GB SMART
	<b>Communications</b>	Type III Mini PCI 56K (V.90) modem, integrated 10/100 NIC
	<b>Graphics</b>	ATI Mobility Radeon, 64-bit video graphics with 32 MB DDR SDRAM
	<b>Audio</b>	Compaq <i>Premier•Sound</i>
	<b>Operating System</b>	Microsoft Windows XP Pro/Windows 2000
	<b>Pointing Device</b>	Dual Pointing Device
	<b>MultiPort</b>	Optional wireless modules available

---

<b>N6CP120X430VN25XoL</b> <i>NIC ONLY</i>	<b>Display</b>	14.1-inch color XGA
	<b>Processor</b>	1.2 GHz-M on Mobile Intel Pentium III processor
	<b>Cache Memory</b>	512 KB, L2 Cache
	<b>Memory</b>	Standard 256 MB (133 MHz) SDRAM Maximum 1024 MB (133 MHz) SDRAM
	<b>Optical Drive</b>	DVD-ROM
	<b>Hard Drive</b>	30-GB SMART
	<b>Communications</b>	Integrated 10/100 NIC
	<b>Graphics</b>	ATI Mobility Radeon, 64-bit video graphics with 32 MB DDR SDRAM
	<b>Audio</b>	Compaq <i>Premier•Sound</i>
	<b>Operating System</b>	Microsoft Windows XP Pro/Windows 2000
	<b>Pointing Device</b>	Dual Pointing Device
	<b>MultiPort</b>	Optional wireless modules available

## Standard Features

### MODELS

	VISTA PN	Model Naming Convenience	Operating System	PIII-1.20 GHz, 14.1-inch SXGA+ 256 MB, 30 GB, DVD/CD-RW Combo Dual Point	PIII-1.20 GHz, 14.1-inch SXGA+ 256 MB, 30 GB, DVD Combo Dual Point	PIII-1.20 GHz, 14.1-inch XGA 256 MB, 30 GB, DVD Combo Dual point
US	VISTA PN	N6CP120P430WC25X8L	Windows 98	470023-390		
		N6CP120P430WC25X2L	Windows 2000	470023-406		
		N6CP120P430WC25X8LN	GEM/NAFTA Windows 98	470023-408		
		N6CP120P430WC25X2LN	GEM/NAFTA Windows 2000	470023-409		
		N6CP120P430WC25XoL	Windows XP Pro/2000	470026-699		
		N6CP120P430WC25XoLN	GEM/NAFTA Windows XP Pro/2000	470026-703		
		N6CP120X430VC25XoL	Windows XP Pro/2000			470031-791
		N6CP120X430VC25XoLN	Windows XP Pro/2000			470031-833
Fr Canada	VISTA PN	N6CP120P430WC25X8L	Windows 98	470023-391		
		N6CP120P430WC25X2L	Windows 2000	470023-407		
		N6CP120P430WC25XoL	Windows XP Pro/2000	470026-700		
		N6CP120X430VC25XoL	Windows XP Pro/2000			470031-792
Belgium-FR/NL/US		N6CP120P430VC25X8L	Windows 98		470023-410	
		N6CP120P430VC25X2L	Windows 2000		470023-411	
		N6CP120P430VC25XoL	Windows XP Pro/2000		470031-123	
		N6CP120X430VC25XoL	Windows XP Pro/2000			470031-793
Czech Republic		N6CP120P430VC25X8L	Windows 98		470023-413	
		N6CP120P430VC25X2L	Windows 2000		470023-412	
		N6CP120P430VC25XoL	Windows XP Pro/2000		470031-124	
		N6CP120X430VC25XoL	Windows XP Pro/2000			470031-794
Denmark		N6CP120P430VC25X8L	Windows 98		470023-414	
		N6CP120P430VC25X2L	Windows 2000		470023-415	
		N6CP120P430VC25XoL	Windows XP Pro/2000		470031-125	
		N6CP120X430VC25XoL	Windows XP Pro/2000			470031-795
Euro		N6CP120P430VN25X8L	NIC Only Windows 98		470023-459	
		N6CP120P430VN25X2L	NIC Only Windows 2000		470023-460	
		N6CP120P430VN25XoL	NIC Only Windows XP Pro/2000		470026-707	
		N6CP120X430NC25XoL	NIC only Windows XP Pro/2000			470031-835
France		N6CP120P430VC25X8L	Windows 98		470023-417	
		N6CP120P430VC25X2L	Windows 2000		470023-416	
		N6CP120P430VC25XoL	Windows XP Pro/2000		470026-708	
		N6CP120X430VC25XoL	Windows XP Pro/2000			470031-796

## Standard Features

	VISTA PN	Model Naming Convenience	Operating System	PIII-1.20 GHz, 14.1-inch SXGA+ 256 MB, 30 GB, DVD/CD-RW Combo Dual Point	PIII-1.20 GHz, 14.1-inch SXGA+ 256 MB, 30 GB, DVD Combo Dual Point	PIII-1.20 GHz, 14.1-inch XGA 256 MB, 30 GB, DVD Combo Dual point
Germany		N6CP120P430VC25X8L	Windows 98		470023-418	
		N6CP120P430VC25X2L	Windows 2000		470023-419	
		N6CP120P430VC25XoL	Windows XP Pro/2000		470026-709	
		N6CP120X430VC25XoL	Windows XP Pro/2000			470031-797
Greece/Poland		N6CP120P430VC25X8L	Windows 98		470023-421	
		N6CP120P430VC25X2L	Windows 2000		470023-420	
		N6CP120P430VC25XoL	Windows XP Pro/2000		470031-126	
		N6CP120X430VC25XoL	Windows XP Pro/2000			470031-798
Hungary		N6CP120P430VC25X8L	Windows 98		470023-424	
		N6CP120P430VC25X2L	Windows 2000		470023-422	
		N6CP120P430VC25XoL	Windows XP Pro/2000		470031-127	
		N6CP120X430VC25XoL	Windows XP Pro/2000			470031-799
Israel		N6CP120P430VC25X8L	Windows 98		470023-425	
		N6CP120P430VC25X2L	Windows 2000		470023-426	
		N6CP120P430VC25XoL	Windows XP Pro/2000		470031-130	
		N6CP120X430VC25XoL	Windows XP Pro/2000			470031-800
Italy		N6CP120P430VC25X8L	Windows 98		470023-428	
		N6CP120P430VC25X2L	Windows 2000		470023-427	
		N6CP120P430VC25XoL	Windows XP Pro/2000		470026-710	
		N6CP120X430VC25XoL	Windows XP Pro/2000			470031-801
Middle East		N6CP120P430VC25X8L	Windows 98		470023-429	
		N6CP120P430VC25X2L	Windows 2000		470023-430	
		N6CP120P430VC25XoL	Windows XP Pro/2000		470031-131	
		N6CP120X430VC25XoL	Windows XP Pro/2000			470031-802
Netherlands						
		N6CP120P430VC25XoL	Windows XP Pro/2000		470031-132	
		N6CP120X430VC25XoL	Windows XP Pro/2000			470031-805
Norway		N6CP120P430VC25X8L	Windows 98		470023-431	
		N6CP120P430VC25X2L	Windows 2000		470023-432	
		N6CP120P430VC25XoL	Windows XP Pro/2000		470031-133	
		N6CP120X430VC25XoL	Windows XP Pro/2000			470031-809
Portugal		N6CP120P430VC25X8L	Windows 98		470023-434	
		N6CP120P430VC25X2L	Windows 2000		470023-433	
		N6CP120P430VC25XoL	Windows XP Pro/2000		470031-134	
		N6CP120X430VC25XoL	Windows XP Pro/2000			470031-814

## Standard Features

	VISTA PN	Model Naming Convenience	Operating System	PIII-1.20 GHz, 14.1-inch SXGA+ 256 MB, 30 GB, DVD/CD-RW Combo Dual Point	PIII-1.20 GHz, 14.1-inch SXGA+ 256 MB, 30 GB, DVD Combo Dual Point	PIII-1.20 GHz, 14.1-inch XGA 256 MB, 30GB, DVD Combo Dual point
Russian		N6CP120P430VC25X8L	Windows 98		470023-435	
		N6CP120P430VC25X2L	Windows 2000		470023-436	
		N6CP120P430VC25XoL	Windows XP Pro/2000		470031-135	
		N6CP120X430VC25XoL	Windows XP Pro/2000			470031-815
Slovak, Slovenian		N6CP120P430VC25X8L	Windows 98		470023-438	
		N6CP120P430VC25X2L	Windows 2000		470023-437	
		N6CP120P430VC25XoL	Windows XP Pro/2000		470031-136	
		N6CP120X430VC25XoL	Windows XP Pro/2000			470031-816
Spain		N6CP120P430VC25X8L	Windows 98		470023-439	
		N6CP120P430VC25X2L	Windows 2000		470023-440	
		N6CP120P430VC25XoL	Windows XP Pro/2000		470026-711	
		N6CP120X430VC25XoL	Windows XP Pro/2000			470031-817
Sweden/Finland		N6CP120P430VC25X8L	Windows 98		470023-442	
		N6CP120P430VC25X2L	Windows 2000		470023-441	
		N6CP120P430VC25XoL	Windows XP Pro/2000		470031-137	
		N6CP120X430VC25XoL	Windows XP Pro/2000			470031-818
Swiss 1-FR/GR/US		N6CP120P430VC25X8L	Windows 98		470023-443	
		N6CP120P430VC25X2L	Windows 2000		470023-444	
		N6CP120P430VC25XoL	Windows XP Pro/2000		470026-747	
		N6CP120X430VC25XoL	Windows XP Pro/2000			470031-819
Swiss 2-FR/GR/IT		N6CP120P430VC25X8L	Windows 98		470023-446	
		N6CP120P430VC25X2L	Windows 2000		470023-447	
		N6CP120P430VC25XoL	Windows XP Pro/2000		470026-748	
		N6CP120X430VC25XoL	Windows XP Pro/2000			470031-820
Turkey		N6CP120P430VC25X8L	Windows 98		470023-449	
		N6CP120P430VC25X2L	Windows 2000		470023-448	
		N6CP120P430VC25XoL	Windows XP Pro/2000		470031-138	
		N6CP120X430VC25XoL	Windows XP Pro/2000			470031-821
UK		N6CP120P430VC25X8L	Windows 98		470023-451	
		N6CP120P430VC25X2L	Windows 2000		470023-452	
		N6CP120P430VC25XoL	Windows XP Pro/2000		470026-712	
		N6CP120X430VC25XoL	Windows XP Pro/2000			470031-822
Japan-Jpn		N6CP120X430VC25XoL	Windows XP Pro/2000			470031-823
Japan-Eng		N6CP120X430VC25XoL	Windows XP Pro/2000			470031-824

## Standard Features

	VISTA PN	Model Naming Convenience	Operating System	PIII-1.20 GHz, 14.1-inch SXGA+ 256 MB, 30 GB, DVD/CD-RW Combo Dual Point	PIII-1.20 GHz, 14.1-inch SXGA+ 256 MB, 30 GB, DVD Combo Dual Point	PIII-1.20 GHz, 14.1-inch XGA 256 MB, 30 GB, DVD Combo Dual point
LTNA		N6CP120P430VC25X8L	Windows 98		470023-453	
		N6CP120P430VC25X2L	Windows 2000		470023-454	
		N6CP120P430WC25X8LN	GEM/NAFTA Windows 98	470023-455		
		N6CP120P430WC25X2LN	GEM/NAFTA Windows 2000	470023-456		
		N6CP120P430VC25XoL	Windows XP Pro/2000		470026-714	
		N6CP120P430WC25XoLN	GEM/NAFTA Windows XP Pro/2000		470026-704	
		N6CP120X430VC25XoL	Windows XP Pro/2000			470031-825
						470031-834
BRAZIL		N6CP120P430VC25X8L	Windows 98		470023-455	
		N6CP120P430VC25X2L	Windows 2000		470023-456	
		N6CP120P430VC25XoL	Windows XP Pro/2000		470031-139	
						470031-826
APD		N6CP120P430WC25X8L	Windows 98	470023-392		
		N6CP120P430WC25X2L	Windows 2000	470023-403		
		N6CP120P430WN25X8L	NIC Only Windows 98	470023-405		
		N6CP120P430WN25X2L	NIC Only Windows 2000	470023-404		
		N6CP120P430WC25XoL	Windows XP Pro/2000	470026-701		
		N6CP120P430WN25XoL	NIC Only Windows XP Pro/2000	470026-706		
		N6CP120X430VC25XoL	Windows XP Pro/2000			470031-827
		N6CP120X430VN25XoL	NIC only Windows XP Pro/2000			470031-836
Australia		N6CP120P430WC25X8L	Windows 98	470023-393		
		N6CP120P430WC25X2L	Windows 2000	470023-402		
		N6CP120P430WC25XoL	Windows XP Pro/2000	470026-702		
		N6CP120X430VC25XoL	Windows XP Pro/2000			470031-828
PRC		N6CP120P430WC25X8L	Windows 98	470023-394		
		N6CP120P430WC25X2L	Windows 2000	470023-401		
		N6CP120P430WC25XoL	Windows XP Pro/2000		470031-118	
		N6CP120X430VC25XoL	Windows XP Pro/2000			470031-829
Taiwan		N6CP120P430WC25X8L	Windows 98	470023-395		
		N6CP120P430WC25X2L	Windows 2000	470023-400		
		N6CP120P430WC25XoL	Windows XP Pro/2000		470031-119	
		N6CP120X430VC25XoL	Windows XP Pro/2000			470031-830
Hong Kong		N6CP120P430WC25X8L	Windows 98	470023-396		
		N6CP120P430WC25X2L	Windows 2000	470023-399		
		N6CP120P430WC25XoL	Windows XP Pro/2000		470031-120	
		N6CP120X430VC25XoL	Windows XP Pro/2000			470031-831
Korea		N6CP120P430WC25X8L	Windows 98	470023-397		
		N6CP120P430WC25X2L	Windows 2000	470023-398		
		N6CP120P430WC25XoL	Windows XP Pro/2000	470031-122		
		N6CP120X430VC25XoL	Windows XP Pro/2000			470031-832



## Standard Features

### MODELS

N6CP100X420VC12X8L	<b>Display</b>	14.1-inch color TFT XGA
	<b>Processor</b>	1.0 GHz-M on Mobile Intel Pentium III processor
	<b>Cache Memory</b>	512 KB, L2 Cache
	<b>Memory</b>	Standard 128 MB (133 MHz) SDRAM Maximum 1024 MB (133 MHz) SDRAM
	<b>Optical Drive</b>	DVD-ROM
	<b>Hard Drive</b>	20-GB SMART
	<b>Communications</b>	Type III Mini PCI 56K (V.90) modem, integrated 10/100 NIC
	<b>Graphics</b>	ATI Mobility Radeon, 64-bit video graphics with 16 MB DDR SDRAM
	<b>Audio</b>	Compaq <i>Premier•Sound</i>
	<b>Operating System</b>	Microsoft Windows 98SE
	<b>Pointing Device</b>	Dual Pointing Device
	<b>MultiPort</b>	Optional wireless modules available
	N6CP100X420VC12X6L	<b>Display</b>
<b>Processor</b>		1.0 GHz-M on Mobile Intel Pentium III processor
<b>Cache Memory</b>		512 KB, L2 Cache
<b>Memory</b>		Standard 128 MB (133 MHz) SDRAM Maximum 1024 MB (133 MHz) SDRAM
<b>Optical Drive</b>		DVD-ROM
<b>Hard Drive</b>		20-GB SMART
<b>Communications</b>		Type III Mini PCI 56K (V.90) modem, integrated 10/100 NIC
<b>Graphics</b>		ATI Mobility Radeon, 64-bit video graphics with 16 MB DDR SDRAM
<b>Audio</b>		Compaq <i>Premier•Sound</i>
<b>Operating System</b>		Microsoft Windows 2000 preinstalled/Windows NT 4.0 on CD
<b>Pointing Device</b>		Dual Pointing Device
<b>MultiPort</b>		Optional wireless modules available
N6CP100X420VC12X8LN <i>GEM NAFTA</i>		<b>Display</b>
	<b>Processor</b>	1.00 GHz-M on Mobile Intel Pentium III processor
	<b>Cache Memory</b>	512 KB, L2 Cache
	<b>Memory</b>	Standard 128 MB (133 MHz) SDRAM Maximum 1024 MB (133 MHz) SDRAM
	<b>Optical Drive</b>	DVD-ROM
	<b>Hard Drive</b>	20-GB SMART
	<b>Communications</b>	Type III Mini PCI 56K (V.90) modem, integrated 10/100 NIC
	<b>Graphics</b>	ATI Mobility Radeon, 64-bit video graphics with 16 MB DDR SDRAM
	<b>Audio</b>	Compaq <i>Premier•Sound</i>
	<b>Operating System</b>	Microsoft Windows 98SE
	<b>Pointing Device</b>	Dual Pointing Device
	<b>MultiPort</b>	Optional wireless modules available

## Standard Features

<b>N6CP100X420VC12X6LN</b> <i>GEM NAFTA</i>	<b>Display</b>	14.1-inch color TFT XGA
	<b>Processor</b>	1.00 GHz-M on Mobile Intel Pentium III processor
	<b>Cache Memory</b>	512 KB, L2 Cache
	<b>Memory</b>	Standard 128 MB (133 MHz) SDRAM Maximum 1024 MB (133 MHz) SDRAM
	<b>Optical Drive</b>	DVD-ROM
	<b>Hard Drive</b>	20-GB SMART
	<b>Communications</b>	Type III Mini PCI 56K (V.90) modem, integrated 10/100 NIC
	<b>Graphics</b>	ATI Mobility Radeon, 64-bit video graphics with 16 MB DDR SDRAM
	<b>Audio</b>	Compaq <i>Premier•Sound</i>
	<b>Operating System</b>	Microsoft Windows 2000 preinstalled/Windows NT 4.0 on CD
	<b>Pointing Device</b>	Dual Pointing Device
	<b>MultiPort</b>	Optional wireless modules available
<b>N6CP100X420VN12X8L</b> <i>NO MODEM</i>	<b>Display</b>	14.1-inch color TFT XGA
	<b>Processor</b>	1.00 GHz-M on Mobile Intel Pentium III processor
	<b>Cache Memory</b>	512 KB, L2 Cache
	<b>Memory</b>	Standard 128 MB (133 MHz) SDRAM Maximum 1024 MB (133 MHz) SDRAM
	<b>Optical Drive</b>	DVD-ROM
	<b>Hard Drive</b>	20-GB SMART
	<b>Communications</b>	10/100 NIC
	<b>Graphics</b>	ATI Mobility Radeon, 64-bit video graphics with 16 MB DDR SDRAM
	<b>Audio</b>	Compaq <i>Premier•Sound</i>
	<b>Operating System</b>	Microsoft Windows 98SE
	<b>Pointing Device</b>	Dual Pointing Device
	<b>MultiPort</b>	Optional wireless modules available
<b>N6CP100X420VN12X6L</b> <i>NO MODEM</i>	<b>Display</b>	14.1-inch color TFT XGA
	<b>Processor</b>	1.00 GHz-M on Mobile Intel Pentium III processor
	<b>Cache Memory</b>	512 KB, L2 Cache
	<b>Memory</b>	Standard 128 MB (133 MHz) SDRAM Maximum 1024 MB (133 MHz) SDRAM
	<b>Optical Drive</b>	DVD-ROM
	<b>Hard Drive</b>	20-GB SMART
	<b>Communications</b>	10/100 NIC
	<b>Graphics</b>	ATI Mobility Radeon, 64-bit video graphics with 16 MB DDR SDRAM
	<b>Audio</b>	Compaq <i>Premier•Sound</i>
	<b>Operating System</b>	Microsoft Windows 2000 preinstalled/Windows NT 4.0 on CD
	<b>Pointing Device</b>	Dual Pointing Device
	<b>MultiPort</b>	Optional wireless modules available

## Standard Features

				PIII-1.00 GHz, 14.1 XGA 128 MB, 20 GB, DVD Combo Windows 98SE Dual point
<b>NORTH AMERICA</b>				
	US	Windows 98	N6CP100X420VC12X8L	470026-833
		Windows 2000/NT	N6CP100X420VC12X6L	470026-879
		Windows 98	N6CP100X420VC12X8LN	470026-917
		Windows 2000/NT	N6CP100X420VC12X6LN	470026-916
	Fr Canada	Windows 98	N6CP100X420VC12X8L	470026-836
		Windows 2000/NT	N6CP100X420VC12X6L	470026-881
<b>EUROPE/MIDDLE EAST/AFRICA</b>				
	Belgium-FR/NL/US	Windows 98	N6CP100X420VC12X8L	470026-841
		Windows 2000/NT	N6CP100X420VC12X6L	470026-882
	Czech Republic	Windows 98	N6CP100X420VC12X8L	470026-844
		Windows 2000/NT	N6CP100X420VC12X6L	470026-883
	Denmark	Windows 98	N6CP100X420VC12X8L	470026-845
		Windows 2000/NT	N6CP100X420VC12X6L	470026-884
	Euro	Windows 98-No modem	N6CP100X420V12X8L	470026-912
		Windows 2000/NT-No modem	N6CP100X420V12X6L	470026-914
	France	Windows 98	N6CP100X420VC12X8L	470026-846
		Windows 2000/NT	N6CP100X420VC12X6L	470026-885
	Germany	Windows 98	N6CP100X420VC12X8L	470026-848
		Windows 2000/NT	N6CP100X420VC12X6L	470026-886
	Greece/Poland	Windows 98	N6CP100X420VC12X8L	470026-849
		Windows 2000/NT	N6CP100X420VC12X6L	470026-887
	Hungary	Windows 98	N6CP100X420VC12X8L	470026-850
		Windows 2000/NT	N6CP100X420VC12X6L	470026-888
	Israel	Windows 98	N6CP100X420VC12X8L	470026-851
		Windows 2000/NT	N6CP100X420VC12X6L	470026-889
	Italy	Windows 98	N6CP100X420VC12X8L	470026-852
		Windows 2000/NT	N6CP100X420VC12X6L	470026-890
	Middle East	Windows 98	N6CP100X420VC12X8L	470026-853
		Windows 2000/NT	N6CP100X420VC12X6L	470026-891

## Standard Features

				PIII-1.00 GHz, 14.1 XGA 128 MB, 20 GB, DVD Combo Windows 98SE Dual point
<b>EUROPE/MIDDLE EAST/AFRICA (continued)</b>				
	Netherlands	Windows 98	N6CP100X420VC12X8L	<b>470026-854</b>
		Windows 2000/NT	N6CP100X420VC12X6L	<b>470026-892</b>
	Norway	Windows 98	N6CP100X420VC12X8L	<b>470026-855</b>
		Windows 2000/NT	N6CP100X420VC12X6L	<b>470026-893</b>
	Portugal	Windows 98	N6CP100X420VC12X8L	<b>470026-856</b>
		Windows 2000/NT	N6CP100X420VC12X6L	<b>470026-894</b>
	Russian	Windows 98	N6CP100X420VC12X8L	<b>470026-857</b>
		Windows 2000/NT	N6CP100X420VC12X6L	<b>470026-895</b>
	Slovak, Slovenian	Windows 98	N6CP100X420VC12X8L	<b>470026-859</b>
		Windows 2000/NT	N6CP100X420VC12X6L	<b>470026-896</b>
	Spain	Windows 98	N6CP100X420VC12X8L	<b>470026-860</b>
		Windows 2000/NT	N6CP100X420VC12X6L	<b>470026-897</b>
	Sweden/Finland	Windows 98	N6CP100X420VC12X8L	<b>470026-861</b>
		Windows 2000/NT	N6CP100X420VC12X6L	<b>470026-898</b>
	Swiss 1-FR/GR/US	Windows 98	N6CP100X420VC12X8L	<b>470026-862</b>
		Windows 2000/NT	N6CP100X420VC12X6L	<b>470026-899</b>
	Swiss 2-FR/GR/IT	Windows 98	N6CP100X420VC12X8L	<b>470026-863</b>
		Windows 2000/NT	N6CP100X420VC12X6L	<b>470026-900</b>
	Turkey	Windows 98	N6CP100X420VC12X8L	<b>470026-865</b>
		Windows 2000/NT	N6CP100X420VC12X6L	<b>470026-901</b>
	UK	Windows 98	N6CP100X420VC12X8L	<b>470026-866</b>
		Windows 2000/NT	N6CP100X420VC12X6L	<b>470026-902</b>
<b>CKK</b>				
	Japan-Jpn	Windows 98	N6CP100X420VC12X8L	<b>470026-867</b>
		Windows 2000/NT	N6CP100X420VC12X6L	<b>470026-903</b>
	Japan-Eng	Windows 98	N6CP100X420VC12X8L	<b>470026-868</b>
		Windows 2000/NT	N6CP100X420VC12X6L	<b>470026-904</b>

## Standard Features

				PIII-1.00 GHz, 14.1 XGA 128MB, 20GB, DVD Combo Win98SE dual point
<b>LATIN AMERICA</b>				
	LTNA	Windows 98	N6CP100X420VC12X8L	<b>470026-869</b>
		Windows 2000/NT	N6CP100X420VC12X6L	<b>470026-905</b>
		Windows 98	N6CP100X420VC12X8LN	<b>470026-918</b>
		Windows 2000/NT	N6CP100X420VC12X6LN	<b>470026-919</b>
	BRAZIL	Windows 98	N6CP100X420VC12X8L	<b>470026-871</b>
		Windows 2000/NT	N6CP100X420VC12X6L	<b>470026-906</b>
<b>ASIA PACIFIC and GREATER CHINA</b>				
	APD	Windows 98	N6CP100X420VC12X8L	<b>470026-872</b>
		Windows 2000/NT	N6CP100X420VC12X6L	<b>470026-907</b>
		Windows 98-No modem	N6CP100X420V12X8L	<b>470026-913</b>
		Windows 2000/NT-No modem	N6CP100X420V12X6L	<b>470026-915</b>
	Australia	Windows 98	N6CP100X420VC12X8L	<b>470026-873</b>
		Windows 2000/NT	N6CP100X420VC12X6L	<b>470026-908</b>
	PRC	Windows 98	N6CP100X420VC12X8L	<b>470026-874</b>
		Windows 2000/NT	N6CP100X420VC12X6L	<b>470026-909</b>
	Taiwan	Windows 98	N6CP100X420VC12X8L	<b>470026-876</b>
		Windows 2000/NT	N6CP100X420VC12X6L	<b>470026-910</b>
	Hong Kong	Windows 98	N6CP100X420VC12X8L	<b>470026-877</b>
		Windows 2000/NT	N6CP100X420VC12X6L	<b>470026-911</b>
	Korea	Windows 98	N6CP100X420VC12X8L	<b>470026-942</b>
		Windows 2000/NT	N6CP100X420VC12X6L	<b>470026-943</b>

## Standard Features

### MODELS

N6CP106X420VC12X8L	<b>Display</b>	14.1-inch color TFT XGA
	<b>Processor</b>	1.06 GHz-M on Mobile Intel Pentium III processor
	<b>Cache Memory</b>	512 KB, L2 Cache
	<b>Memory</b>	Standard 128 MB (133 MHz) SDRAM Maximum 1024 MB (133 MHz) SDRAM
	<b>Optical Drive</b>	DVD-ROM
	<b>Hard Drive</b>	20-GB SMART
	<b>Communications</b>	Type III Mini PCI 56K (V.90) modem, integrated 10/100 NIC
	<b>Graphics</b>	ATI Mobility Radeon, 64-bit video graphics with 16 MB DDR SDRAM
	<b>Audio</b>	Compaq <i>Premier•Sound</i>
	<b>Operating System</b>	Microsoft Windows 98SE
	<b>Pointing Device</b>	Dual Pointing Device
	<b>MultiPort</b>	Optional wireless modules available
	N6CP106X420VC12X6L	<b>Display</b>
<b>Processor</b>		1.06 GHz-M on Mobile Intel Pentium III processor
<b>Cache Memory</b>		512 KB, L2 Cache
<b>Memory</b>		Standard 128 MB (133 MHz) SDRAM Maximum 1024 MB (133 MHz) SDRAM
<b>Optical Drive</b>		DVD-ROM
<b>Hard Drive</b>		20-GB SMART
<b>Communications</b>		Type III Mini PCI 56K (V.90) modem, integrated 10/100 NIC
<b>Graphics</b>		ATI Mobility Radeon, 64-bit video graphics with 16 MB DDR SDRAM
<b>Audio</b>		Compaq <i>Premier•Sound</i>
<b>Operating System</b>		Microsoft Windows 2000 preinstalled/Windows NT 4.0 on CD
<b>Pointing Device</b>		Dual Pointing Device
<b>MultiPort</b>		Optional wireless modules available
N6CP106X420VC12X8LN <i>GEM NAFTA</i>		<b>Display</b>
	<b>Processor</b>	1.06 GHz-M on Mobile Intel Pentium III processor
	<b>Cache Memory</b>	512 KB, L2 Cache
	<b>Memory</b>	Standard 128 MB (133 MHz) SDRAM Maximum 1024 MB (133 MHz) SDRAM
	<b>Optical Drive</b>	DVD-ROM
	<b>Hard Drive</b>	20-GB SMART
	<b>Communications</b>	Type III Mini PCI 56K (V.90) modem, integrated 10/100 NIC
	<b>Graphics</b>	ATI Mobility Radeon, 64-bit video graphics with 16 MB DDR SDRAM
	<b>Audio</b>	Compaq <i>Premier•Sound</i>
	<b>Operating System</b>	Microsoft Windows 98SE
	<b>Pointing Device</b>	Dual Pointing Device
	<b>MultiPort</b>	Optional wireless modules available

## Standard Features

<b>N6CP106X420VC12X6LN</b> <i>GEM NAFTA</i>	<b>Display</b>	14.1-inch color TFT XGA
	<b>Processor</b>	1.06 GHz-M on Mobile Intel Pentium III processor
	<b>Cache Memory</b>	512 KB, L2 Cache
	<b>Memory</b>	Standard 128 MB (133 MHz) SDRAM Maximum 1024 MB (133 MHz) SDRAM
	<b>Optical Drive</b>	DVD-ROM
	<b>Hard Drive</b>	20-GB SMART
	<b>Communications</b>	Type III Mini PCI 56K (V.90) modem, integrated 10/100 NIC
	<b>Graphics</b>	ATI Mobility Radeon, 64-bit video graphics with 16 MB DDR SDRAM
	<b>Audio</b>	Compaq <i>Premier•Sound</i>
	<b>Operating System</b>	Microsoft Windows 2000 preinstalled/Windows NT 4.0 on CD
	<b>Pointing Device</b>	Dual Pointing Device
	<b>MultiPort</b>	Optional wireless modules available
<b>N6CP106X420VN12X8L</b> <i>NO MODEM</i>	<b>Display</b>	14.1-inch color TFT XGA
	<b>Processor</b>	1.06 GHz-M on Mobile Intel Pentium III processor
	<b>Cache Memory</b>	512 KB, L2 Cache
	<b>Memory</b>	Standard 128 MB (133 MHz) SDRAM Maximum 1024 MB (133 MHz) SDRAM
	<b>Optical Drive</b>	DVD-ROM
	<b>Hard Drive</b>	20-GB SMART
	<b>Communications</b>	10/100 NIC
	<b>Graphics</b>	ATI Mobility Radeon, 64-bit video graphics with 16 MB DDR SDRAM
	<b>Audio</b>	Compaq <i>Premier•Sound</i>
	<b>Operating System</b>	Microsoft Windows 98SE
	<b>Pointing Device</b>	Dual Pointing Device
	<b>MultiPort</b>	Optional wireless modules available
<b>N6CP106X420VN12X6L</b> <i>NO MODEM</i>	<b>Display</b>	14.1-inch color TFT XGA
	<b>Processor</b>	1.06 GHz-M on Mobile Intel Pentium III processor
	<b>Cache Memory</b>	512 KB, L2 Cache
	<b>Memory</b>	Standard 128 MB (133 MHz) SDRAM Maximum 1024 MB (133 MHz) SDRAM
	<b>Optical Drive</b>	DVD-ROM
	<b>Hard Drive</b>	20-GB SMART
	<b>Communications</b>	10/100 NIC
	<b>Graphics</b>	ATI Mobility Radeon, 64-bit video graphics with 16 MB DDR SDRAM
	<b>Audio</b>	Compaq <i>Premier•Sound</i>
	<b>Operating System</b>	Microsoft Windows 2000 preinstalled/Windows NT 4.0 on CD
	<b>Pointing Device</b>	Dual Pointing Device
	<b>MultiPort</b>	Optional wireless modules available

## Standard Features

N6CP866X415DC12X8L	Display	14.1-inch color TFT XGA
	Processor	866 MHz-M on Mobile Intel Pentium III processor
	Cache Memory	512 KB, L2 Cache
	Memory	Standard 128 MB (133 MHz) SDRAM Maximum 1024 MB (133 MHz) SDRAM
	Optical Drive	CD-ROM
	Hard Drive	15-GB SMART
	Communications	Type III Mini PCI 56K (V.90) modem, integrated 10/100 NIC
	Graphics	ATI Mobility Radeon, 64-bit video graphics with 16 MB DDR SDRAM
	Audio	Compaq <i>Premier•Sound</i>
	Operating System	Microsoft Windows 98SE
	Pointing Device	Dual Pointing Device
	MultiPort	Optional wireless modules available
N6CP866X415DC12X6L	Display	14.1-inch color TFT XGA
	Processor	866 MHz-M on Mobile Intel Pentium III processor
	Cache Memory	512 KB, L2 Cache
	Memory	Standard 128 MB (133 MHz) SDRAM Maximum 1024 MB (133 MHz) SDRAM
	Optical Drive	CD-ROM
	Hard Drive	15-GB SMART
	Communications	Type III Mini PCI 56K (V.90) modem, integrated 10/100 NIC
	Graphics	ATI Mobility Radeon, 64-bit video graphics with 16 MB DDR SDRAM
	Audio	Compaq <i>Premier•Sound</i>
	Operating System	Microsoft Windows 2000 preinstalled/Windows NT 4.0 on CD
	Pointing Device	Dual Pointing Device
	MultiPort	Optional wireless modules available
N6CP866X415DC12X8LN <i>GEM NAFTA</i>	Display	14.1-inch color TFT XGA
	Processor	866 MHz-M on Mobile Intel Pentium III processor
	Cache Memory	512 KB, L2 Cache
	Memory	Standard 128 MB (133 MHz) SDRAM Maximum 1024 MB (133 MHz) SDRAM
	Optical Drive	CD-ROM
	Hard Drive	15-GB SMART
	Communications	Type III Mini PCI 56K (V.90) modem, integrated 10/100 NIC
	Graphics	ATI Mobility Radeon, 64-bit video graphics with 16 MB DDR SDRAM
	Audio	Compaq <i>Premier•Sound</i>
	Operating System	Microsoft Windows 98SE
	Pointing Device	Dual Pointing Device
	MultiPort	Optional wireless modules available



## Standard Features

<b>N6CP866X415DC12X6LN</b> <i>GEMNAFTA</i>	<b>Display</b>	14.1-inch color TFT XGA
	<b>Processor</b>	866 MHz-M on Mobile Intel Pentium III processor
	<b>Cache Memory</b>	512 KB, L2 Cache
	<b>Memory</b>	Standard 128 MB (133 MHz) SDRAM Maximum 1024 MB (133 MHz) SDRAM
	<b>Optical Drive</b>	CD-ROM
	<b>Hard Drive</b>	15-GB SMART
	<b>Communications</b>	Type III Mini PCI 56K (V.90) modem, integrated 10/100 NIC
	<b>Graphics</b>	ATI Mobility Radeon, 64-bit video graphics with 16 MB DDR SDRAM
	<b>Audio</b>	Compaq <i>Premier•Sound</i>
	<b>Operating System</b>	Microsoft Windows 2000 preinstalled/Windows NT 4.0 on CD
	<b>Pointing Device</b>	Dual Pointing Device
	<b>MultiPort</b>	Optional wireless modules available
<b>N6CP866X415DN12X8L</b> <i>NO MODEM</i>	<b>Display</b>	14.1-inch color TFT XGA
	<b>Processor</b>	866 MHz-M on Mobile Intel Pentium III processor
	<b>Cache Memory</b>	512 KB, L2 Cache
	<b>Memory</b>	Standard 128 MB (133 MHz) SDRAM Maximum 1024 MB (133 MHz) SDRAM
	<b>Optical Drive</b>	CD-ROM
	<b>Hard Drive</b>	15-GB SMART
	<b>Communications</b>	10/100 NIC
	<b>Graphics</b>	ATI Mobility Radeon, 64-bit video graphics with 16 MB DDR SDRAM
	<b>Audio</b>	Compaq <i>Premier•Sound</i>
	<b>Operating System</b>	Microsoft Windows 98SE
	<b>Pointing Device</b>	Dual Pointing Device
	<b>MultiPort</b>	Optional wireless modules available
<b>N6CP866X415DN12X6L</b> <i>NO MODEM</i>	<b>Display</b>	14.1-inch color TFT XGA
	<b>Processor</b>	866 MHz-M on Mobile Intel Pentium III processor
	<b>Cache Memory</b>	512 KB, L2 Cache
	<b>Memory</b>	Standard 128 MB (133 MHz) SDRAM Maximum 1024 MB (133 MHz) SDRAM
	<b>Optical Drive</b>	CD-ROM
	<b>Hard Drive</b>	15-GB SMART
	<b>Communications</b>	10/100 NIC
	<b>Graphics</b>	ATI Mobility Radeon, 64-bit video graphics with 16 MB DDR SDRAM
	<b>Audio</b>	Compaq <i>Premier•Sound</i>
	<b>Operating System</b>	Microsoft Windows 2000 preinstalled/Windows NT 4.0 on CD
	<b>Pointing Device</b>	Dual Pointing Device
	<b>MultiPort</b>	Optional wireless modules available

## Standard Features

			PIII-1.06 GHz-M, 14.1-inch XGA 128 MB, 20 GB, DVD Combo Dual Point		PIII-866 MHz-M, 14.1-inch XGA 128 MB, 15 GB, CD Combo Dual Point	
<b>NORTH AMERICA</b>						
	US					
		WIN 98	N6CP106X420VC12X8L	Part # 470019-407 VISTA PIN 0456338	N6CP866X415DC12X8L	Part # 470019-408 VISTA PIN 0456340
		WIN 2000/NT	N6CP106X420VC12X6L	Part # 470019-411 VISTA PIN 0456339	N6CP866X415DC12X6L	Part # 470019-512 VISTA PIN 0456368
		G/N - WIN 98	N6CP106X420VC12X8L N	470019-572	N6CP866X415DC12X8LN	470019-579
		G/N - WIN 2000/NT	N6CP106X420VC12X6LN	470019-577	N6CP866X415DC12X6LN	470019-581
	Fr Canada					
		WIN 98	N6CP106X420VC12X8L	470019-473	N6CP866X415DC12X8L	470019-416
		WIN 2000/NT	N6CP106X420VC12X6L	470019-414	N6CP866X415DC12X6L	470019-513
<b>EUROPE/MIDDLE EAS/AFRICA</b>						
	Belgium-FR/NL/US					
		WIN 98	N6CP106X420VC12X8L	470019-546	N6CP866X415DC12X8L	470019-508
		WIN 2000/NT	N6CP106X420VC12X6L	470019-509	N6CP866X415DC12X6L	470019-515
	Czech Republic					
		WIN 98	N6CP106X420VC12X8L	470019-474	N6CP866X415DC12X8L	470019-426
		WIN 2000/NT	N6CP106X420VC12X6L	470019-419	N6CP866X415DC12X6L	470019-518
	Denmark					
		WIN 98	N6CP106X420VC12X8L	470019-475	N6CP866X415DC12X8L	470019-430
		WIN 2000/NT	N6CP106X420VC12X6L	470019-421	N6CP866X415DC12X6L	470019-520
	Euro					
		WIN 98 - No Modem	N6CP106X420VN12X8L	470019-557	N6CP866X430RN12X8L	470019-563
		WIN 2000/NT - No Modem	N6CP106X420VN12X6L	470019-560	N6CP866X430RN12X6L	470019-567
	France					
		WIN 98	N6CP106X420VC12X8L	470019-476	N6CP866X415DC12X8L	470019-433
		WIN 2000/NT	N6CP106X420VC12X6L	470019-423	N6CP866X415DC12X6L	470019-522
	Germany					
		WIN 98	N6CP106X420VC12X8L	470019-477	N6CP866X415DC12X8L	470019-435
		WIN 2000/NT	N6CP106X420VC12X6L	470019-425	N6CP866X415DC12X6L	470019-524
	Greece/Poland					
		WIN 98	N6CP106X420VC12X8L	470019-548	N6CP866X415DC12X8L	470019-510
		WIN 2000/NT	N6CP106X420VC12X6L	470019-431	N6CP866X415DC12X6L	470019-526
	Hungary					
		WIN 98	N6CP106X420VC12X8L	470019-478	N6CP866X415DC12X8L	470019-439
		WIN 2000/NT	N6CP106X420VC12X6L	470019-432	N6CP866X415DC12X6L	470019-529
	Israel					
		WIN 98	N6CP106X420VC12X8L	470019-480	N6CP866X415DC12X8L	470019-442
		WIN 2000/NT	N6CP106X420VC12X6L	470019-434	N6CP866X415DC12X6L	470019-532

## Standard Features

			PIII-1.06 GHz-M, 14.1-inch XGA 128 MB, 20 GB, DVD Combo Dual Point		PIII-866 MHz-M, 14.1-inch XGA 128 MB, 15 GB, CD Combo Dual Point	
<b>EUROPE/MIDDLE EAST/AFRICA (continued)</b>						
	Italy					
		WIN 98	N6CP106X420VC12X8L	470019-481	N6CP866X415DC12X8L	470019-443
		WIN 2000/NT	N6CP106X420VC12X6L	470019-437	N6CP866X415DC12X6L	470019-533
	Middle East					
		WIN 98	N6CP106X420VC12X8L	470019-485	N6CP866X415DC12X8L	470019-445
		WIN 2000/NT	N6CP106X420VC12X6L	470019-438	N6CP866X415DC12X6L	470019-537
	Netherlands					
		WIN 98	N6CP106X420VC12X8L	470019-488	N6CP866X415DC12X8L	470019-448
		WIN 2000/NT	N6CP106X420VC12X6L	470019-441	N6CP866X415DC12X6L	470019-539
	Norway					
		WIN 98	N6CP106X420VC12X8L	470019-491	N6CP866X415DC12X8L	470019-453
		WIN 2000/NT	N6CP106X420VC12X6L	470019-444	N6CP866X415DC12X6L	470019-541
	Portugal					
		WIN 98	N6CP106X420VC12X8L	470019-498	N6CP866X415DC12X8L	470019-454
		WIN 2000/NT	N6CP106X420VC12X6L	470019-447	N6CP866X415DC12X6L	470019-543
	Russian					
		WIN 98	N6CP106X420VC12X8L	470019-501	N6CP866X415DC12X8L	470019-456
		WIN 2000/NT	N6CP106X420VC12X6L	470019-450	N6CP866X415DC12X6L	470019-545
	Slovak, Slovenian					
		WIN 98	N6CP106X420VC12X8L	470019-551	N6CP866X415DC12X8L	470019-457
		WIN 2000/NT	N6CP106X420VC12X6L	470019-451	N6CP866X415DC12X6L	470019-547
	Spain					
		WIN 98	N6CP106X420VC12X8L	470019-505	N6CP866X415DC12X8L	470019-460
		WIN 2000/NT	N6CP106X420VC12X6L	470019-455	N6CP866X415DC12X6L	470019-549
	Sweden/Finland					
		WIN 98	N6CP106X420VC12X8L	470019-553	N6CP866X415DC12X8L	470019-461
		WIN 2000/NT	N6CP106X420VC12X6L	470019-458	N6CP866X415DC12X6L	470019-550
	Swiss 1-FR/GR/US					
		WIN 98	N6CP106X420VC12X8L	470019-511	N6CP866X415DC12X8L	470019-468
		WIN 2000/NT	N6CP106X420VC12X6L	470019-459	N6CP866X415DC12X6L	470019-552
	Swiss 2-FR/GR/IT					
		WIN 98	N6CP106X420VC12X8L	470019-516	N6CP866X415DC12X8L	470019-470
		WIN 2000/NT	N6CP106X420VC12X6L	470019-462	N6CP866X415DC12X6L	470019-554
	Turkey					
		WIN 98	N6CP106X420VC12X8L	470019-517	N6CP866X415DC12X8L	470019-471
		WIN 2000/NT	N6CP106X420VC12X6L	470019-463	N6CP866X415DC12X6L	470019-555
	UK					
		WIN 98	N6CP106X420VC12X8L	470019-519	N6CP866X415DC12X8L	470019-472
		WIN 2000/NT	N6CP106X420VC12X6L	470019-464	N6CP866X415DC12X6L	470019-556

### Standard Features

			PIII-1.06 GHz-M, 14.1-inch XGA 128 MB, 20 GB, DVD Combo Dual Point		PIII-866 MHz-M, 14.1-inch XGA 128 MB, 15 GB, CD Combo Dual Point	
<b>CKK</b>						
	Japan-Jpn					
		WIN 98	N6CP106X420VC12X8L	470019-521	N6CP866X415DC12X8L	470019-482
		WIN 2000/NT	N6CP106X420VC12X6L	470019-466	N6CP866X415DC12X6L	470019-559
	Japan-Eng					
		WIN 98	N6CP106X420VC12X8L	470019-523	N6CP866X415DC12X8L	470019-484
		WIN 2000/NT	N6CP106X420VC12X6L	470019-467	N6CP866X415DC12X6L	470019-561
<b>LATIN AMERICA</b>						
	LTNA					
		WIN 98	N6CP106X420VC12X8L	470019-525	N6CP866X415DC12X8L	470019-487
		WIN 2000/NT	N6CP106X420VC12X6L	470019-469	N6CP866X415DC12X6L	470019-564
		G/N - WIN 98	N6CP106X420VC12X8LN	470019-575	N6CP866X415DC12X8LN	470019-580
		G/N - WIN 2000/NT	N6CP106X420VC12X6LN	470019-578	N6CP866X415DC12X6LN	470019-582
	BRAZIL					
		WIN 98	N6CP106X420VC12X8L	470019-527	N6CP866X415DC12X8L	470019-492
		WIN 2000/NT	N6CP106X420VC12X6L	470019-483	N6CP866X415DC12X6L	470019-566
<b>ASIA PACIFIC and GREATER CHINA</b>						
	APD					
		WIN 98	N6CP106X420VC12X8L	470019-528	N6CP866X415DC12X8L	470019-494
		WIN 2000/NT	N6CP106X420VC12X6L	470019-489	N6CP866X415DC12X6L	470019-569
		WIN 98 - No Modem	N6CP106X420VN12X8L	470019-558	N6CP866X430RN12X8L	470019-565
		WIN 2000/NT - No Modem	N6CP106X420VN12X6L	470019-562	N6CP866X430RN12X6L	470019-568
	Australia					
		WIN 98	N6CP106X420VC12X8L	470019-530	N6CP866X415DC12X8L	470019-496
		WIN 2000/NT	N6CP106X420VC12X6L	470019-493	N6CP866X415DC12X6L	470019-570
	PRC					
		WIN 98	N6CP106X420VC12X8L	470019-534	N6CP866X415DC12X8L	470019-499
		WIN 2000/NT	N6CP106X420VC12X6L	470019-497	N6CP866X415DC12X6L	470019-571
	Taiwan					
		WIN 98	N6CP106X420VC12X8L	470019-536	N6CP866X415DC12X8L	470019-502
		WIN 2000/NT	N6CP106X420VC12X6L	470019-500	N6CP866X415DC12X6L	470019-573
	Hong Kong					
		WIN 98	N6CP106X420VC12X8L	470019-538	N6CP866X415DC12X8L	470019-504
		WIN 2000/NT	N6CP106X420VC12X6L	470019-503	N6CP866X415DC12X6L	470019-574
	Korea					
		WIN 98	N6CP106X420VC12X8L	470019-542	N6CP866X415DC12X8L	470019-506
		WIN 2000/NT	N6CP106X420VC12X6L	470019-507	N6CP866X415DC12X6L	470019-576

## Options

<b>Memory</b>	512-MB (133 MHz) Memory Upgrade	238830-B25
	256-MB (133 MHz) Memory Upgrade	197898-B25
	128-MB (133 MHz) Memory Upgrade	197897-B25
	64-MB (133 MHz) Memory Upgrade	197896-B25
<b>Monitors</b>	TFT8030 Flat Panel Color 18-inch (carbon/silver)	243362-xxx
	TFT7020 Flat Panel Color 17-inch with integrated speakers (carbon/silver)	253217-xxx
	TFT5015 Flat Panel Color 15-inch (carbon/silver)	234044-xxx
	TFT5030 Flat Panel Color 15-inch (carbon/silver)	228134-xxx
	V720 17-inch CRT (carbon/silver)	232944-001
	S720 17-inch CRT (carbon/silver)	239287-001
	V570 15-inch CRT (carbon/silver)	228113-001
<b>MultiBay Hard Drives</b>	40-GB SMART Hard Drive	263472-B25
	30-GB SMART Hard Drive	212791-B25
	20-GB SMART Hard Drive	212790-B25
<b>MultiBay Storage Devices</b>	DVD/CD-RW Combo Drive	260472-B25
	CD-RW Drive	136186-B25
	DVD-ROM Drive	138320-B25
	CD-ROM Drive	298452-B25
	SuperDisk 2X LS –120 Drive	197895-B25
	Diskette Drive	226935-B25
	Imega Zip 250 Drive	217387-B25
<b>Other Storage Devices</b>	IBM 1-GB Microdrive (PC card Device)	217390-B25
	USB Disk-on-Key – 8 MB	249552-B25
	USB Diskette drive	230330-B25
<b>Connectivity</b>	Compaq Type III Mini PCI 56K (V.90) Modem	225640-B31
	Compaq Type III Mini PCI 56K (V.90) Modem plus 10/100 NIC Combo	225642-B31
	Compaq M420 56K Global Modem	317900-001
	10/100 TX PC Card UTP Controller	335506-B21
	100BaseTX Ethernet Upgrade	225435-001
	1394 PC Card	177593-B25
	For additional compatible PC Cards, view the Compaq PC Card Solutions List on the Compaq website at: <a href="http://www.compaq.com/support/techpubs/pcmcia/">http://www.compaq.com/support/techpubs/pcmcia/</a>	
	<b>NOTE:</b> This website is available in English only.	
<b>NOTE:</b> Designed only to allow faster downloads from V.90 compliant sources. Maximum achievable download transmission rates currently do not reach 56 KB/s, and will vary with line conditions.		
<b>Wireless Connectivity</b>	802.11b MultiPort Wireless LAN module	233412-xx1
	Bluetooth MultiPort module	228057-B21
	Compaq WL110 Wireless LAN PC Card	191808-B21
	Compaq WL510 Wireless Enterprise Access Point	216709-001
	Compaq WL410 Wireless SMB Access Point	191811-001
	Compaq WL310 Home Office Access Point	191813-001
	Compaq Range Extender Antenna	230268-B21

## Options

<b>Expansion Bases</b>	Expansion Base	383500-xx1
	Expansion Base with Intel NIC	120266-xx1
	Expansion Base Tower Stand	123129-B25
	Convenience Base	382500-xx1
	Convenience Base with Intel NIC	120971-xx1
	Convenience Base Monitor Cover	122931-xx1
	Port Replicator EM	382300-xx1
<b>Power</b>	8-cell primary battery	250848-B25
<b>Common Power Solutions</b>	MultiBay Battery (6-cells)	387937-B25
	External Battery Charger	135555-xxx
	AC Adapter 65W	265602-xxx
	Auto Power Adapter/Charger	265649-B25
	Aircraft Power Adapter	386504-B21
	AC Line Cord (10 ft/3.1 m)	217932-xx2
<b>Input Devices</b>	External Enhanced III Keyboard (carbon)	118003-008
	Compaq 2 Button Mouse (carbon)	103180-B21
	USB 2 Button Scroll Mouse (carbon)	195255-B25
	External 10-Key Numeric Keypad (carbon)	294317-B21
	USB EZ Access Keyboard	222726-xxx
<b>Security</b>	Biometric PC Card	146805-B25
	Security Cable Lock	294316-B21
	Compaq Smart Card PC Card Reader	135646-B25
<b>Useful Accessories</b>	Parallel port cable for diskette drive	226748-B21
	MP1400 Microportable Projector	174626-xx1
	MP1800 Microportable Projector	180226-xx1
	MP2800 Microportable Projector	180228-xx1
	Multimedia Adapter & Remote Kit (comes with the MP1800)	174963-001
	MP1600 Video Adapter	116298-001
	MP1600 Lamp replacement kit	118052-001
	MP1800/1400 Lamp replacement kit	189789-001
	MP2800 Lamp replacement kit	215464-001
<b>Carrying Cases</b>	Compaq Ultralight Case (nylon)	167336-B21
	Compaq Ultralight Case (leather)	242359-B25
	Compaq Plus Case	242360-B25
	Compaq Professional Case (nylon)	242361-B25
	Compaq Professional Case (leather)	242362-B25
	<i>Armada M300, Evo Notebook N600c and Evo Notebook N400c specific</i>	
	Compaq M Series Portfolio Case	167337-B21

**NOTE:** For additional information visit <http://www.compaq.com/products/notebooks/>

## Memory

### Compaq Evo N600C

#### STANDARD MEMORY PLUS OPTIONAL MEMORY

Support for up to 1024 MB of SDRAM memory is available with the installation of optional SDRAM Memory Kits.

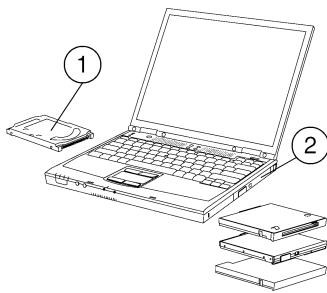
Memory	Slot 1	Slot 2
64 MB	64 MB	--
128 MB	128 MB	--
192 MB	128 MB	64 MB
256 MB	256 MB	--
384 MB	256 MB	128 MB
512 MB	512 MB	--
768 MB	512 MB	256 MB
1024 MB	512 MB	512 MB

**NOTE:** This chart does not represent all possible memory configurations. Due to the non-industry standard nature of some third-party memory modules, we strongly recommend using only Compaq branded memory modules to ensure compatibility.

Following are memory options available from Compaq:

• 512-MB (133 MHz) Memory Upgrade	238830-B25
• 256-MB (133 MHz) Memory Upgrade	197898-B25
• 128-MB (133 MHz) Memory Upgrade	197987-B25
• 64-MB (133 MHz) Memory Upgrade	197986-B25

## Storage



1. Primary Hard drive
2. MultiBay

### DRIVE SUPPORT

System Drive Support	Quantity Supported	Drive Bay Supported
<b>Removable Media</b>		
1.44-MB Diskette Drive	1	MultiBay or parallel port cable
DVD/CD-RW Combo Drive	1	MultiBay
CD-RW Drive	1	MultiBay
DVD-ROM Drive	1	MultiBay
Max CD-ROM Drive	1	MultiBay
Zip 250 Drive	1	MultiBay
Super Disk 2X LS-120 Drive	1	MultiBay
<b>Hard Drives</b>		
40-GB SMART Hard Drive	2	Dedicated hard drive bay and/or MultiBay
30-GB SMART Hard Drive	2	Dedicated hard drive bay and/or MultiBay
20-GB SMART Hard Drive	2	Dedicated hard drive bay and/or MultiBay
15-GB SMART Hard Drive	2	Dedicated hard drive bay and/or MultiBay



## Technical Specifications

<b>System Unit</b>	<b>Dimensions (H x W x D)</b>	14.1-inch TFT panel display	1.2 x 12.1 x 9.8 in/3.1 x 30.7 x 25.0 cm
	<b>Weight</b>	14.1-inch LCD, weight saver, 1 SODIMM	4.8 lb/2.1 kg *
		14.1-inch LCD, CD-RW, DVD or CD-ROM, 1 SODIMM	5.5 lb/2.5 kg *
<b>NOTE: * Weight varies by configuration.</b>			
<b>Stand-Alone Power Requirements</b>	Nominal Operating Voltage (Li-Ion)	14.4V (8-cell)	
	Average Operating Power	15.8W	
	Peak Operating Power	38W	
	Power in suspend mode	< 800 mW	
	Power in hibernation mode	< 100 mW	
<b>Power Supply</b>	Rated Input Voltage	90 to 264 VAC (auto-switching)	
	Rated Input Current	< 60W	
	Rated Frequency	47 to 63 Hz	
<b>Temperature</b>	Operating	50° to 95°F/10° to 35°C	
	Non-operating	-4° to 140°F/-20° to 60°C	
<b>Relative Humidity</b>	Operating	10% to 90% relative humidity, non-condensing	
	Non-operating	5% to 95% relative humidity, 101.6°F/38.7°C Maximum wetbulb temperature	
<b>Shock</b>	Operating	10 G, 11 ms, half-sine	
	Non-operating	60 G, 11 ms, half-sine	
<b>Vibration</b>	Operating	0.5 G zero-to-peak, 10 to 500 Hz, 0.25 oct/min sweep rate	
	Non-operating	1.0 G, zero-to-peak, 10 to 500 Hz, 0.5 oct/min sweep rate	
<b>Maximum Altitude (unpressurized)</b>	Operating	0 to 10,000 ft/0 to 3,048 m	
	Non-operating	0 to 30,000 ft/0 to 9,144 m	

## Technical Specifications

<b>14.1-inch Color TFT SXGA+ Display</b>	<b>Dimensions (H x W)</b>	11.22 x 8.46 in/28.5 x 21.5 cm		
	<b>Diagonal Size</b>	14.1 in/35.81 cm		
	<b>Mounting</b>	Internal Panel Supports, Side Mounted		
	<b>Number of Colors</b>	Up to 16.8M		
	<b>Contrast Ratio</b>	150:1		
	<b>Brightness</b>	150 nt typ		
	<b>Pixel Resolution</b>	Pitch	0.204 x 0.204 mm	
		Format	1400 x 1050	
		Configuration	RGB stripe	
	<b>Backlight</b>	Edge Lit		
	<b>Character Display</b>	80 x 25		
<b>Total Power Consumption</b>	5.1W			

<b>14.1-inch Color TFT XGA Display</b>	<b>Dimensions (H x W)</b>	11.22 x 8.46 in/28.5 x 21.5 cm		
	<b>Diagonal Size</b>	14.1 in/35.81 cm		
	<b>Mounting</b>	Internal Panel Supports, Side Mounted		
	<b>Number of Colors</b>	Up to 16.8M		
	<b>Contrast Ratio</b>	150:1		
	<b>Brightness</b>	150 nt typ		
	<b>Pixel Resolution</b>	Pitch	0.264 x 0.264 mm	
		Format	1024 x 768	
		Configuration	RGB stripe	
	<b>Backlight</b>	Edge Lit		
	<b>Character Display</b>	80 x 25		
<b>Total Power Consumption</b>	4.2W			

## Technical Specifications

### Hard Drives

#### 40 GB

<b>MultiBay Drive Adapter</b>	Dimensions (H x W x D)	1.27 x 13.25 x 12.61 cm (0.5 x 5.21 x 4.97 in)
	Weight	0.15 lb/70 g
<b>Drive Weight</b>	0.21 lb/95 g	
<b>Capacity</b>	40 GB	
<b>Height</b>	9.5 mm	
<b>Width</b>	70 mm	
<b>Interface</b>	ATA-5	
<b>Transfer Rate</b>	Synchronous (maximum)	100 MB/s (Drive Capability)
	Security	ATA Security
<b>Seek Time</b> (typical reads, including settling)	Single Track	3.0 ms
	Average	13 ms
	Maximum	25 ms
<b>Rotational Speed</b>	4200 rpm	
<b>Logical Blocks</b>	78,140,160	
<b>Operating Temperature</b>	41° to 131°F/5° to 55°C	
<b>Features:</b>	Security	ATA Security

#### 30 GB

<b>MultiBay Drive Adapter</b>	Dimensions (H x W x D)	0.5 x 5.21 x 4.97 in/1.27 x 13.25 x 12.61 cm
	Weight	0.15 lb/70 g
<b>Drive Weight</b>	0.22 lb/99 g	
<b>Capacity</b>	30 GB	
<b>Height</b>	9.5 mm	
<b>Width</b>	70 mm	
<b>Interface</b>	ATA-5	
<b>Transfer Rate</b>	Synchronous (maximum)	100 MB/s (Drive Capability)
	Security	ATA Security
<b>Seek Time</b> (typical reads, including settling)	Single Track	2.5 ms
	Average	12 ms
	Maximum	23 ms
<b>Rotational Speed</b>	4200 rpm	
<b>Logical Blocks</b>	58,605,120	
<b>Operating Temperature</b>	41° to 131°F/5° to 55°C	

## Technical Specifications

### Hard Drives *(continued)*

<b>20 GB</b>	<b>MultiBay Drive Adapter</b>	Dimensions (H x W x D)	0.5 x 5.21 x 4.97 in/1.27 x 13.25 x 12.61 cm
		Weight	0.15 lb/70 g
	<b>Drive Weight</b>	0.21 lb/95 g	
	<b>Capacity</b>	20 GB	
	<b>Height</b>	9.5 mm	
	<b>Width</b>	70 mm	
	<b>Interface</b>	ATA-5	
	<b>Transfer Rate</b>	Synchronous (maximum)	100 MB/s (Drive Capability)
		Security	ATA Security
	<b>Seek Time</b> (typical reads, including settling)	Single Track	2.5 ms
		Average	12 ms
		Maximum	23 ms
	<b>Rotational Speed</b>	4200 rpm	
	<b>Logical Blocks</b>	~ 39,070,080	
	<b>Operating Temperature</b>	41° to 131°F/5° to 55°C	
<b>15 GB</b>	<b>MultiBay Drive Adapter</b>	Dimensions (H x W x D)	1.27 x 13.25 x 12.61 cm (0.5 x 5.21 x 4.97 in)
		Weight	0.15 lb/70 g
	<b>Drive Weight</b>	0.21 lb/95 g	
	<b>Capacity</b>	15 GB	
	<b>Height</b>	9.5 mm	
	<b>Width</b>	70 mm	
	<b>Interface</b>	ATA-4	
	<b>Transfer Rate</b>	Synchronous (maximum)	100 MB/s (Drive Capability)
		Security	ATA Security
	<b>Seek Time</b> (typical reads, including settling)	Single Track	2.5 ms
		Average	12 ms
		Maximum	23 ms
	<b>Rotational Speed</b>	4200 rpm	
	<b>Logical Blocks</b>	~29,498,112	
	<b>Operating Temperature</b>	41° to 131°F/5° to 55°C	
<b>Features:</b>	Security	ATA Security	

## Technical Specifications

Diskette Drive	MultiBay Drive	Dimensions (H x W x D)	0.5 x 5.21 x 4.97 in/1.27 x 13.25 x 12.61 cm	
		Weight	0.51 lb/230 g	
	Diskette Size	3.5 in		
	Activity Indicator	On system		
	Height	12.7 mm		
	Bytes per Sector	512		
	Sectors per track	High density	18 (1.44 MB)/15 (1.2 MB)	
		Low density	9	
	Tracks per side	High density	80 (1.44 MB)/80 (1.2 MB)	
		Low density	80	
	Read/Write heads	2		
	Access Times	Track-to track (high/low)	3 ms/6 ms	
		Average (high/low)	94 ms/174 ms	
		Settling time	15 ms	
		Latency average	100 ms	
External AC Adapter	Weight	0.39 lb/0.18 kg		
	Power Supply (Input)	Operating Voltage	90 to 260 VAC RMS	
		Operating Current	1.3 A RMS	
		Operating Frequency Range	47 to 63 Hz AC	
		Maximum Transient	4/50 kV	
Lithium-Ion Battery Pack (8-cell) <i>Internal</i>	Dimensions (L x W x D)	4.95 x 3.46 x 0.80 in/12.58 x 8.8 x 2 cm		
	Weight	0.96 lb/0.43 kg		
	Energy	Voltage	14.8 V	
		Amp-hour capacity	Minimum 3.7 Ah Typical 3.9 Ah	
		Watt-hour capacity	Minimum 53.2 Ah Typical 56.1 Ah	
	Temperature	Operating	32° to 108°F/0° to 42°C	
		Non-operating	32° to 140°F/0° to 60°C	
	Battery Re-Charge Time	System in OFF mode or Standby	2 hours	
		System ON (depending of system power consumption)	2 to 5 hours	

## Technical Specifications

<b>MultiBay Lithium-Ion Battery Pack Dimensions (H x W x D)</b> (6-cell)	<b>Dimensions (H x W x D)</b>	0.5 x 5.21 x 4.97 in/1.27 x 13.25 x 12.61 cm		
	<b>Weight</b>	0.81 lb/0.38 kg		
	<b>Energy</b>	<b>Voltage</b>	10.8 V	
		<b>Amp-hour capacity</b>	2.8 Ah	
		<b>Watt-hour capacity</b>	30.2 Wh	
	<b>Temperature</b>	<b>Operating</b>	32° to 122°F/0° to 50°C	
		<b>Non-operating</b>	32° to 140°F/0° to 60°C	
	<b>Battery Re-Charge Time</b>	<b>System in OFF mode or Standby</b>	2 hours	
		<b>System ON</b>	2 to 5 hours	

<b>DVD/CD-RW Combo Drive</b>	<b>MultiBay Drive</b>	<b>Dimensions (H x W x D)</b>	0.5 x 5.21 x 4.97 in/1.27 x 13.25 x 12.61 cm		
		<b>Weight</b>	0.74 lb/0.33 kg		
	<b>Center Hole Diameter</b>	39 cm			
	<b>Disk Diameter</b>	12 cm/8 cm			
	<b>Disk Thickness</b>	1.2 mm			
	<b>Track Pitch</b>	0.74 µm			
	<b>Access Times</b> (typical reads, including settling)	<b>Random CD</b>	< 150 ms		
		<b>Full-Stroke CD</b>	< 225 ms		
	<b>Audio Output Level</b>	<b>Line-out</b>	0.7 Vrms		
	<b>Cache Buffer</b>	128 KB/s (minimum)			
	<b>Data Transfer Rate</b> (typical, including settling)	<b>CD-R (8X)</b>	<b>Data</b>	1200 KB/s (150 KB/s at 1X CD rate)	
		<b>CD-RW (8X)</b>	<b>Data</b>	1200 KB/s (150 KB/s at 1X CD rate)	
		<b>CD-ROM (24X)</b>	<b>Data</b>	3600 KB/s (150 KB/s at 1X CD rate)	
		<b>DVD (8X)</b>	<b>Data</b>	10,800 KB/s (1352 KB/s at 1X DVD rate)	
		<b>Normal PIO Mode 4 (single burst)</b>	<b>Data</b>	16.6 MB/s	
	<b>Start-up Time</b>	< 15 seconds			
	<b>Stop Time</b>	< 6 seconds			

## Technical Specifications

<b>CD-RW Drive</b>	<b>MultiBay Drive</b>	Dimensions (H x W x D)	1.27 x 13.25 x 12.61 cm (0.5 x 5.21 x 4.97 in)
		Weight	0.74 lb/0.33 kg
	<b>Center Hole Diameter</b>	1.5 cm	
	<b>Disk Diameter</b>	12 cm/8 cm	
	<b>Disk Thickness</b>	1.2 mm	
	<b>Track Pitch</b>	0.74 µm	
	<b>Access Times</b> (typical reads, including settling)	Random	< 150 ms
		Full-Stroke	< 225 ms
	<b>Audio Output Level</b>	Line-out	0.7 Vrms
	<b>Cache Buffer</b>	128 KB/s (minimum)	
	<b>Data Transfer Rate</b> (typical, including settling)	Sustained (16X) CD-ROM	2400 KB/s
		Sustained 8X CD-RW	10,800 KB/s
		Normal PIO Mode 4 (single burst)	16.6 MB/s
	<b>Start-up Time</b>	< 15 seconds	
<b>Stop Time</b>	< 6 seconds		

<b>DVD-ROM Drive</b>	<b>MultiBay Drive</b>	Dimensions (H x W x D)	0.5 x 5.21 x 4.97 in/1.27 x 13.25 x 12.61 cm
		Weight	0.66 lb/0.3 kg
	<b>Center Hole Diameter</b>	1.5 cm	
	<b>Disc Diameter</b>	12 cm/8 cm	
	<b>Disc Thickness</b>	1.2 mm	
	<b>Track Pitch</b>	0.74 µm	
	<b>Access Times</b> (typical reads, including settling)	Random (typical)	< 150 ms DVD Media
		Full-Stroke (typical)	< 225 ms DVD Media
		Random (typical)	< 110 ms CD Media
		Full-Stroke (typical)	< 200 ms CD Media
	<b>Cache Buffer</b>	512 KB/s (minimum)	
	<b>Data Transfer Rate</b> (typical, including settling)	Max 24X CD	3600 KB/s (150 KB/s at 1X CD rate)
		Max 8X DVD	10,800 KB/s (1352 KB/s at 1X DVD rate)
		Normal PIO Mode 4 (single burst)	16.6 MB/s
<b>Start-up Time</b>	< 10 seconds	Single Session CD-ROM	
<b>Stop Time</b>	< 3 seconds		

## Technical Specifications

<b>24X CD-ROM Drive</b>	<b>MultiBay Drive</b>	Dimensions (H x W x D)	0.5 x 5.21 x 4.97 in/1.27 x 13.25 x 12.61 cm
		Weight	0.50 lb/0.22 kg
	<b>Applicable Disk</b>	CD-ROM (Mode 1, 2 and 3), CD-XA ready (Mode 2, Form 1 and 2), CD-I ready (Mode 2, Form 1 and 2), CD-R (read only), CD Plus, Photo CD (Single and Multi-session), CD-Extra, Video CD, CD-WO (fixed packets only), CD-Bridge	
	<b>Center Hole Diameter</b>	15 mm	
	<b>Disk Diameter</b>	12 cm/8 cm	
	<b>Disk Thickness</b>	1.2 mm	
	<b>Track Pitch</b>	1.6 $\mu$ m	
	<b>Access Times</b> (typical reads, including settling)	Random	< 150 ms
		Full-Stroke	< 300 ms
	<b>Audio Output Level</b>	Line-out	0.7 Vrms
	<b>Cache Buffer</b>	128 KB	
	<b>Data Transfer Rate</b> (typical, including settling)	Sustained (16X)	150 KB/s (sustained 1X)
		Variable	1500 to 3600 KB/s (10X to 24X)
		Normal PIO Mode 4 (single burst)	16.66 MB/s
	<b>Start-up Time</b>	< 8 seconds	
<b>Stop Time</b>	< 4 seconds		

<b>MultiBay SuperDisk 2X LS-120 Drive</b>	<b>Dimensions (H x W x D)</b>	0.5 x 5.21 x 4.97 in/1.27 x 13.25 x 12.61 cm	
	<b>Weight</b>	0.6 lb/0.27 kg	
	<b>Maximum Transfer Rate</b>	From Disk: 896 KB/s	
		Sustained: 375 to 900 KB/s	
	<b>120 MB Physical Format</b>	Number of Heads: 2	
		Bytes per Sector: 512	
		Sectors per Track: 51 to 92	
		Zones/Side: 55	
		Data Tracks per Side: 1736	
		Servo Tracks: 900	
		Sector Interleave: 1:1	
	<b>Access Times</b> (including settling)	Track-to-track: 20 ms	
		Average: 70 ms	
		Latency Average: 41.67	
	<b>Operating Conditions</b>	Temperature: 41° to 131°F/5° to 55°C	
Humidity: 10% to 80% RH			
<b>Operating System Support</b>	Microsoft Windows 95, Windows NT 4.0		
<b>Option Kit Contents</b>	LS-120 Drive, 17 mm MultiBay Adapter, Software, Documentation		

**NOTE:** Drivers for the LS-120 Drive are standard in Windows 95/OSR2, Windows NT 3.51/SP5, and Windows NT 4.0. Use the LS-120 Option Support Diskette (included in option kit) with earlier releases of Windows 95 and NT 3.51.



## Technical Specifications

<b>MultiBay Iomega Zip 250 Drive</b>	<b>Dimensions (H x W x D)</b>	5.26 x 5.24 x 5.71 in/13.35 x 13.3 x 14.5 cm	
	<b>Weight</b>	9.8 oz/0.27 kg or Xg	
	<b>Transfer Rates</b>	250 Media: 1200 to 2400 KB/s	
		100 Media: 138 to 1400 KB/s	
	<b>Access Times</b> (including setting)	Track-to-track: 5 ms	
		Average: 40 ms	
		Latency Average: 10 ms	
		Maximum: 70 ms	
<b>Operating Conditions</b>	Temperature: 41° to 124.7°F/5° to 51.5°C		
	Humidity: 10% to 80% RH		
<b>Operating System Support</b>	Microsoft Windows 95, Windows 98, Windows NT 4.0, Windows 2000, Windows Me		
<b>Option Kit Contents</b>	Zip 250 Drive, Documentation		
<b>802.11b MultiPort Module</b>	<b>Form Factor</b>	Compaq "MultiPort"	
	<b>Weight</b>	0.22 lb/100 g (maximum)	
	<b>Operating Temperature</b>	14° to 149°F/-10° to 65°C, operating	
	<b>Storage Temperature</b>	-40° to 176°F/-40° to 80°C, non-operating	
	<b>Humidity</b>	Operating 10 to 90%	
		Non operating 5 to 95%	
	<b>Altitude</b>	Operating 15,000 ft/4,572 m	
		Non operating 40,000 ft/12,192 m	
	<b>Plug and Play</b>	USB 1.1 compliant	
		Windows Plug and Play compliant	
	<b>RF Network Standard</b>	IEEE 802 Part 11b (802.11b)	
	<b>Frequency Band</b>	2,4000 to 2.4835 GHz	
		2,4465 to 2.4835 GHz (France)	
		2,4000 to 2,4697 GHz (Japan)	
	<b>Number of Selectable Sub-channels</b>	<b>Worldwide Certification</b>	
		United States (FCC)	11
		France (FR)	4
		Japan (JP)	14
Other countries		13	
<b>Data Rates</b>	1, 2, 5.5, 11 Mbps		
<b>Antenna type</b>	Internally integrated within module (with special polarization diversity)		
<b>WEP Security</b>	64 bit encryption keys compliant to IEEE 802.11		
	128 bit encryption key compliant to IEEE 802.11		
	Ability to enter keys manually or via pass-phrase		
<b>Network Architecture Models</b>	Ad-hoc (Peer to Peer)		
	Infrastructure (Access Points Required)		
<b>Modulation Technique</b>	Direct Sequence Spread Spectrum DBPSK, DQPSK, CCK		
<b>Receiver Sensitivity - Bit Error Rate (1E-5)</b>	11 Mbps: -85 dBm		
	5.5 Mbps: -87 dBm		
	2 Mbps: -91 dBm		
	1 Mbps: -94 dBm		

## Technical Specifications

802.11b MultiPort Module (continued)	<b>Maximum Receive Level</b>	-4 dBm
	<b>Output Power (approximately)</b>	18 dBm
	<b>Operating Voltage</b>	5V power operation
	<b>Power Management</b>	Keystroke Fn+F2 Power On/Off control
	<b>Power Consumption</b>	Transfer mode: < 600 mA, maximum
		Receive mode: > 400 mA, maximum
		Standby Mode: 1 mA, maximum
	<b>Transmit Power</b>	10 to 100mW
		It is preferable to have the user configurable output power to save battery life for laptop users or in high AP coverage areas.
	<b>Power Saving Option</b>	802.11 Compliant Power Saving
		Power Saving Mode selectable through the configuration utility
		ACPI compliant power management
	<b>Media Access Protocol</b>	CSMA/CA (Collision Avoidance) with ACK
<b>OS Support</b>	Microsoft Windows XP Professional and Home Editions	
	Microsoft Windows 98/98SE	
	Microsoft Windows 2000	
	Microsoft Windows Millennium	
<b>Protocols Supported</b>	TCP/IP	
	IPX/SPX	
	UDP	
<b>LED Activity</b>	Flashing LED – AP Search Mode	
	Solid LED – On	
	LED Off – Power Off	

Throughput, Data Rate and Operating Distance	Throughput	Data Rate	Operating Distance
> 4.5 Mbps		11 Mbps	1000 feet – Open sight
			100 feet – Closed space (Steel Space)
> 2 Mbps		5.5 Mbps	1100 feet – Open sight
			200 feet – Closed space (Steel Space)
> 700 Kbps		1 Mbps	1200 feet – Open sight
			300 feet – Closed space (Steel Space)

## Technical Specifications

Bluetooth MultiPort Module	<b>Form Factor</b>	Compaq "MultiPort"
	<b>Bluetooth</b>	1.1 Compliant
	<b>Dimensions</b>	2.2 x 6.6 x 0.55 in/5.6 x 16.7 x 1.4 cm
	<b>Weight</b>	0.22 lb/100 g (maximum)
	<b>Temperature</b>	Operating 50° to 104°F/10° to 40°C
		Non-operating -4° to 140°F/-20° to 60°C
	<b>Humidity</b>	Operating 10 to 90%
		Non-operating 5 to 95%
	<b>Altitude</b>	Operating 0 to 10,000 ft/0 to 3,048 m
		Non-operating 0 to 30,000 ft/0 to 9,144 m
	<b>Plug and Play</b>	USB 1.1 compliant
		Windows Plug and Play compliant
	<b>Frequency Band</b>	2,4000 to 2.4835 GHz
	<b>Number of Available Channels</b>	79 (1 MHz) available channels
	<b>Data Rates and throughput</b>	1 Mbps
Synchronous Connection Oriented links up to 3, 64 kbps, voice channels Asynchronous Connection Less links 723.2 kbps/57.6 kbps asymmetric or 433.9 kbps symmetric		
<b>Antenna type</b>	Internally integrated within module (with special polarization diversity)	
<b>Range</b>	328 ft/100 m	
<b>Profile Support</b>	General Access Profile	
	Service Discovery Application Profile	
	Serial Port Profile	
	Generic Object Exchange Profile	
	File Transfer Profile	
	Synchronization Profile	
	Dial-Up Networking Profile	
	LAN Access Profile	
Object Push Profile		

## Technical Specifications

<b>Bluetooth MultiPort Module</b> <i>(continued)</i>	<b>Usage Models</b>	<p>Service Discovery (determine what Bluetooth devices are within range and support authorization)</p> <p><b>Synchronization:</b></p> <p>PDAs to PCs</p> <p>Portable to Desktop</p> <p><b>File Transfer:</b></p> <p>File and directory browsing and navigation on another Bluetooth device</p> <p>File copying</p> <p>Object manipulation – including add, delete, create new folders etc.</p> <p>Wireless link to Corporate LAN using several Bluetooth devices sharing the same Access Point:</p> <p>Corporate email, network neighborhood, access to LAN applications, file transfer, ftp, Internet browsing, etc, using TCP/IP</p> <p>Wireless link to WAN through cell phone</p> <p>GSM/SMS, PCS, PHS, DECT, RAM, ARDIS, CDPD, etc.</p> <p>Agnostic to WAN technology</p> <p>Send/receive SMS messages</p> <p>Wireless link to Printer</p> <p>Adhoc peer to peer networking (two computers) or Personal Area Networking (PAN) using NDIS (&lt; 7 computers)</p> <p>Adhoc Bluetooth Pico-networking (point to multi-point)</p> <p>Object Push – Business card or appointment exchange</p>
<b>Transmit Power</b>	< 20 dBm (Bluetooth Class 1)	
<b>Receive Sensitivity</b>	Better than 70 dBm at 0.1% raw bit error rate	
<b>Link Topology</b>	Point to Point, Multipoint Pico Nets up to 7 slaves	
<b>Security</b>	Full support of Bluetooth Security Provisions	
<b>Network Architecture Models</b>	Ad-hoc (Peer to Peer)	
	Infrastructure (Access Points Required)	
<b>Power Requirement</b>	Peak	< 1500 mW
	Average	< 500 mW
	Standby	< 250 mW
<b>Power Management</b>	<p>Windows ACPI, and USB Bus Support</p> <p>Keystrokes Fn+F2 Power On/Off control</p> <p>Self configurable to optimize power conservation in all operating modes, including Standby, Hold, Park, and Sniff</p>	
<b>OS Support</b>	<p>Microsoft Windows XP Professional and Home Editions</p> <p>Microsoft Windows 98/98SE</p> <p>Microsoft Windows 2000</p> <p>Microsoft Windows Millennium</p>	

## Technical Specifications

Bluetooth MultiPort Module <i>(continued)</i>	<b>Protocols Supported</b>	TCP/IP IPX/SPX UDP
	<b>LED Activity</b>	Solid Blue LED – On LED Off – Power Off
	<b>Certifications</b>	All necessary regulatory approvals for countries we support including FCC (47 CFR) Part 15C, Section 15.247 & 15.249 ETS 300 328, ETS 300 826 Low Voltage Directive IEC950 UL, CSA, and CE Mark
Type III Mini PCI 56K (V.90) Modem	<b>Form Factor</b>	Mini-PCI Type III per Specification
	<b>OS Support</b> (with all released Service Packs)	Microsoft Windows XP Professional and Home Editions, Microsoft Windows 98 (Gold, SE), Windows NT 4.0, Windows 2000, Windows Millennium Edition, DOS Application Support under Windows
	<b>Power Management Support</b>	APM Revision 1.2, ACPI, Compaq Power Management Extensions for Windows NT
	<b>Approvals/Certifications</b>	UL, CSA, NEMKO, CCIB, Industry Canada, FCC Part 68, CTR21, FCC Part 15 Class B, Canadian ICES-003 Class B, C.I.S.P.R.22, Australian ACA, CE Mark, Other Countries
	<b>Modem Device Driver Name</b>	Lucent Win Modem
	<b>Data Mode Capabilities</b>	V.90 (a-law, mu-law) K56flex (a-law, mu-law) V.8bis V.80 V42.bis, MNP5 (Compression) V.42 (LAPM, MNP2-4) (Error Correction) V.34 (file date: 10/96) <b>Optional symbol rates:</b> 2800, 3429 Asymmetric Symbol rates <b>Synchronous primary channel data signaling rates:</b> 3600, 31200 Automatic rate re-negotiation V.32bis V.32 V.23 V.22bis V.22 V.21 Bell 212A Bell 103J

## Technical Specifications

<b>Type III Mini PCI 56K (V.90) Modem</b> <i>(continued)</i>	<b>Fax Mode Capabilities</b>	TIA-578-S (Class 1) T.30, T.4 (Group 3) V.17 V.29 V.27ter V.21 Channel 2
	<b>Command Set</b>	V.250 (Partial) TIA-602 Identification: +GMI, +GMM, +GMR Port control: +IPR, +ICF, +IFC, +lirr Modulation: +MS, +MR, +MA Error control: +ES, +ER, +EB, +ESR, +ETBM Data compression: +DS, +DR V.251
<b>Integrated 10/100 NIC</b>	<b>NIC Device Driver Name</b>	Intel PRO/100 P Mobile Combo Adapter
	<b>Data Link Layers</b>	IEEE 802.2 LLC SNAP
	<b>Ethernet Features</b>	10 Mbps Ethernet: IEEE 802.3 standard 10BASE-T 100 Mbps Ethernet: IEEE 802.3u standard 100BASE-TX Full Duplex at 10 and 100Mbps Auto-Negotiation Wake on LAN from all power managed states, including soft off (S5) Boot on LAN from OFF Lower Power State on Link Loss
	<b>Software support</b>	IBM LAN Server Version 1.2, 1.3, 2.0, 4.0 Microsoft Windows XP Professional and Home Editions, Microsoft NT 3.51, NT 4.0, Windows 2000 Novell Netware 3.1x, 4.x, 5.x

## Technical Specifications

---

Integrated 10/100 NIC (continued)	Protocol support	TCP/IP
		Novell IPX/SPX and Microsoft compatible
		Novel IPX ODI
		Microsoft NetBEUI
		IBM DLC

---

### Compaq PCs use genuine Microsoft® Windows®

[www.microsoft.com/piracy/howtotell](http://www.microsoft.com/piracy/howtotell)

©2002 Compaq Information Technologies Group, L.P. Compaq, the Compaq logo, Evo, Armada, Deskpro, *iPAQ*, ProLiant, and Premier•Sound are trademarks of Compaq Information Technologies Group, L.P. in the U.S. and/or other countries. Windows NT is a trademark of Microsoft Corporation in the U.S. and/or other countries. Pentium, the Intel Inside Logo, and SpeedStep are trademarks of Intel Corporation in the U.S. and/or other countries. BatteryMark is a trademark of Ziff Davis Publishing Holdings Inc., and affiliate of eTesting Labs Inc., in the U.S. and other countries. All other product names mentioned herein may be trademarks of their respective companies.

Compaq shall not be liable for technical or editorial errors or omissions contained herein. The information is provided "as is" without warranty of any kind and is subject to change without notice. The warranties for Compaq products are set forth in the express limited warranty statements accompanying such products. Nothing herein should be construed as constituting an additional warranty.